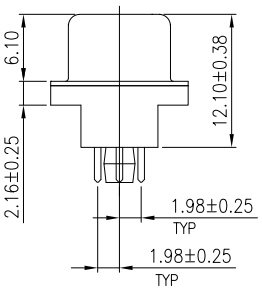
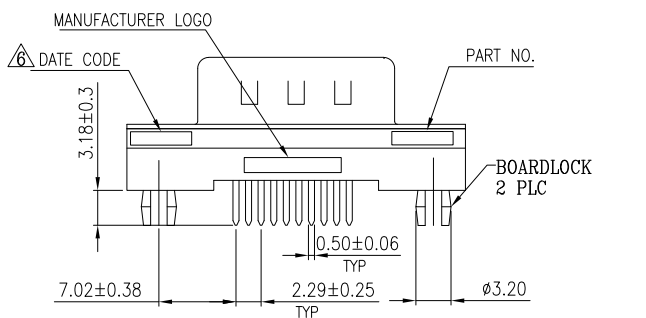
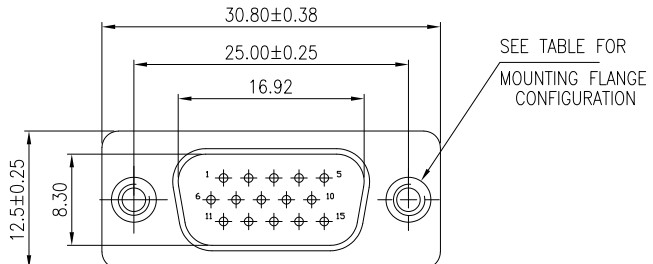


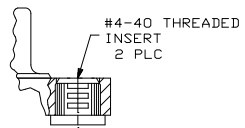
LOC	DIST	REVISIONS				
GP	00	F	LNK	DATE	BY	APPD
		B1		REVISED PER ECO-11-005033	23MAR11	RK HMR



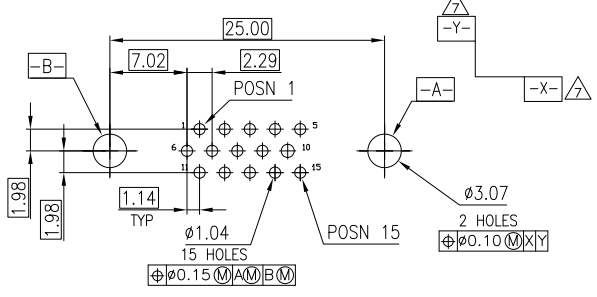
- HOUSING MATERIAL: PBT, GLASS FILLED, BLACK, UL 94V-0 RATED.
- CONTACT MATERIAL: PHOSPHOR BRONZE.
- CONTACT FINISH: GOLD PLATE IN MATING AREA (SEE TABLE), 120µ" MIN TIN PLATE ON SOLDER TAIL, BOTH OVER 50µ" MIN NICKEL UNDERPLATE.
- SHELL: STEEL, NICKEL PLATE.
- THREADED INSERTS AND BOARDLOCKS: BRASS, 100u" MIN TIN PLATE OVER 50u" MIN NICKEL UNDERPLATE.

△ FOUR DIGIT DATE CODE IN THIS FORMAT.
 Year 01 45 Manufacturing Week

△ DATUMS -X- & -Y- TO BE ESTABLISHED BY CUSTOMER.



Detail A



RECOMMENDED PCB LAYOUT

OBSOLETE	Tray	Detail A	Gold flash	5750489-4
	Tray	Detail A	15µ" MIN	5750489-3
	Tray	Detail A	30µ" MIN	5750489-1
	Packaging	Mounting Flange Configuration	CONTACT MATING AREA FINISH	PART NUMBER

THIS DRAWING IS A CONTROLLED DOCUMENT.		DRM	MCMASTER	225EPOS	TE Connectivity
		CHK	BOLASH	225EPOS	
DIMENSIONS: mm		APPRO	M. WALMSLEY	225EPOS	NAME
TOLERANCES UNLESS OTHERWISE SPECIFIED:		PRODUCT SPEC		AMPLITE HD-22 15 POS PLUG, VERTICAL	
0 PLC	±	APPLICATION SPEC		SIZE	CAGE CODE
1 PLC	± 0.30	WEIGHT		A2	00779
2 PLC	± 0.50	FINISH		C=5750489	
3 PLC	± 0.10			SCALE	1:1
4 PLC	±			SHEET	1 of 1
ANGLES	±			REV	B1
MATERIAL		CUSTOMER DRAWING			