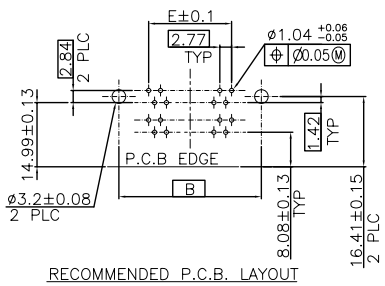
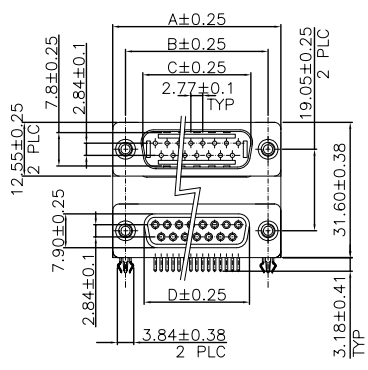
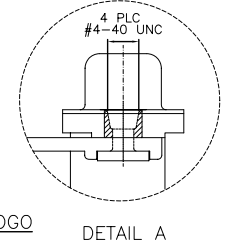
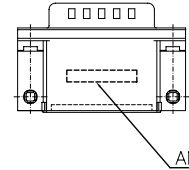
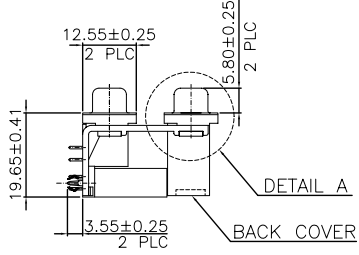
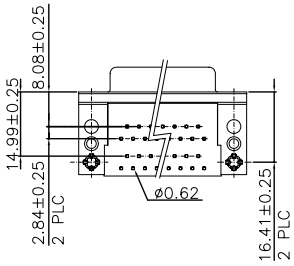


THIS DRAWING IS UNPUBLISHED. RELEASED FOR PUBLICATION AUG. 2006.
 © COPYRIGHT 2009 BY TYCO ELECTRONICS CORPORATION. ALL RIGHTS RESERVED.

LOC	DIST	REVISIONS			
P	LTR	DESCRIPTION	DATE	DWN	APVD
	A	REVISED (ECR-11-003466)	17FEB11	JC	WK



- NOTES:
- MATERIAL:
 - HOUSING/BACK COVER: THERMOPLASTIC; UL94V-0; COLOR: SEE TABLE.
 - CONTACTS: COPPER ALLOY
 - BOARDLOCK: COPPER ALLOY
 - BRACKET: ZINC ALLOY
 - SHELL: STEEL
 - FINISH:
 - CONTACT: GOLD PLATING (SEE TABLE) ON CONTACT AREA. 2.54µm[100µ"] MIN. MATTE TIN PLATING ON SOLDER TAIL AREA. 1.27µm[50µ"] MIN. NICKEL UNDERPLATING OVERALL.
 - BOARDLOCK: 1.52µm[60µ"] MIN. MATTE TIN PLATING OVERALL. 1.27µm[50µ"] MIN. NICKEL UNDERPLATING OVERALL.
 - SHELL: 1.52µm[60µ"] MIN. TIN PLATING OVERALL.
 - WAVE SOLDER CAPABLE TO 265°C PER TE SPEC. 109-202, CONDITION B.
- △ OBSOLETE PARTS: OBSOLETE CIS STREAMLINING PER D.RENAUD/D.SINISI



3-1734282-3	1-1734282-6
3-1734282-2	1-1734282-5
3-1734282-1	1-1734282-4
2-1734282-6	1-1734282-3
2-1734282-5	1-1734282-2
2-1734282-4	1-1734282-1
2-1734282-3	1-1734282-6
2-1734282-2	1-1734282-5
2-1734282-1	1-1734282-4
PART NO.	1-1734282-3
	1-1734282-2
	1-1734282-1
	1-1734282-6
	1-1734282-5
	1-1734282-4
	1-1734282-3
	1-1734282-2
	1-1734282-1
	PART NO.

X-1734282-6	30 u"	PC99/ACTUAL COLOR	37-37 NOT AVAILABLE
X-1734282-5	10 u"	PC99/ACTUAL COLOR	
X-1734282-4	GOLD FLASH	PC99/ACTUAL COLOR	
X-1734282-3	30 u"	BLACK	
X-1734282-2	10 u"	BLACK	
X-1734282-1	GOLD FLASH	BLACK	
PART NO.	GOLD PLATING HSG COLOR		

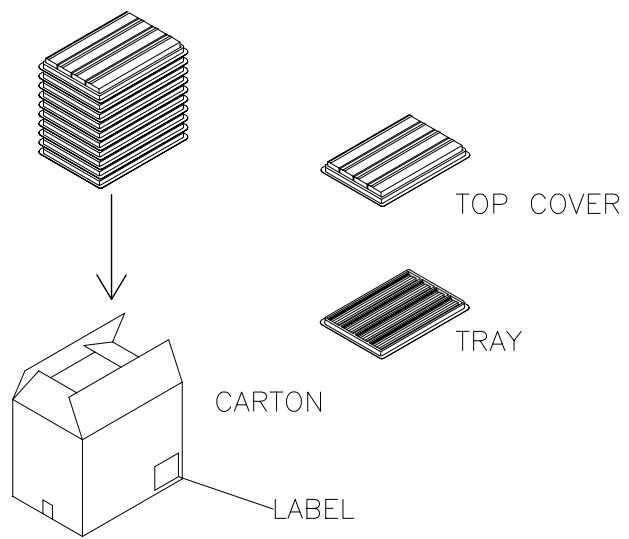
3-1734282-X	37-37	69.34	63.50	55.42	54.80	49.86
2-1734282-X	25-25	53.10	47.04	38.96	38.30	33.24
1-1734282-X	15-15	39.30	33.30	25.25	24.60	19.39
1734282-X	9-9	30.95	24.99	16.92	16.20	11.08
PART NO.	PINS	A	B	C	D	E

THIS DRAWING IS A CONTROLLED DOCUMENT.

DIMENSIONS: MM	TOLERANCES UNLESS OTHERWISE SPECIFIED:	DWN S. CHIEN 18MAY2009	Tyco Electronics Corporation Taipi, Taiwan
0 PLC ± 0.5	1 PLC ± 0.3	CHK S. CHIEN 18MAY2009	NAME
2 PLC ± 0.2	3 PLC ±	APVD W. KODAMA 18MAY2009	D-SUB STACKED PLUG OVER RCPT, R/A TYPE, THREAD INSERTS
4 PLC ±	ANGLES ± 3°	PRODUCT SPEC 108-57517	SIZE CAGE CODE DRAWING NO
MATERIAL	FINISH	APPLICATION SPEC 501-57590	RESTRICTED TO
SEE NOTE	SEE NOTE	WEIGHT - GRAMS A3 00779 C=1734282	
		CUSTOMER DRAWING	SCALE SHEET 1 of 2 REV A

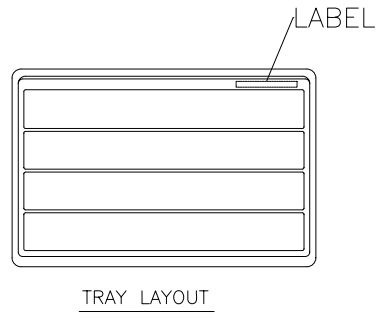
THIS DRAWING IS UNPUBLISHED. RELEASED FOR PUBLICATION AUG. 2006.
 © COPYRIGHT 2009 BY TYCO ELECTRONICS CORPORATION. ALL RIGHTS RESERVED.

LOC	DIST	REVISIONS			
P	LTR	DESCRIPTION	DATE	DWN	APVD
		SEE SHEET 1.			



NOTE :
 1. DIMENSION :
 TRAY : L=310, W=215, H=30
 CARTON : L=335, W=230, H=280
 2. TRAY : PS or PET
 3. QUANTITY:

PIN NO.	9-9	15-15	25-25	37-37
PCS/TRAY	36	28	20	16
TRAY/CARTON	10	10	10	10
PCS/CARTON	360	280	200	160
NET WT.(KG/CARTON)	9.72	9.62	9.38	10.3
GROSS WT.(KG/CARTON)	11.22	11.05	10.81	11.46



THIS DRAWING IS A CONTROLLED DOCUMENT.		DWN	Tyco Electronics Corporation Taipei, Taiwan	
DIMENSIONS: MM		CHK	NAME	
TOLERANCES UNLESS OTHERWISE SPECIFIED: 0 PLC ± - 1 PLC ± - 2 PLC ± - 3 PLC ± - 4 PLC ± - ANGLES ± -		APVD	D-SUB STACKED PLUG OVER RCPT, R/A TYPE, THREAD INSERTS	
MATERIAL		PRODUCT SPEC	SIZE	RESTRICTED TO
FINISH		APPLICATION SPEC	CAGE CODE	DRAWING NO
		WEIGHT	A3 00779	©=1734282
		CUSTOMER DRAWING	SCALE	SHEET 2 OF 2 REV A