

4

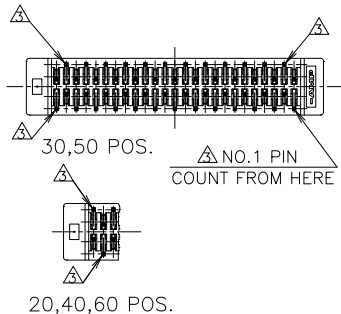
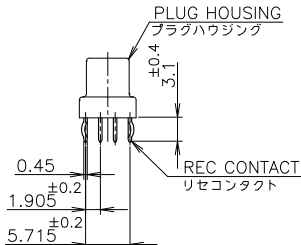
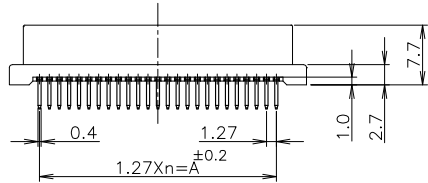
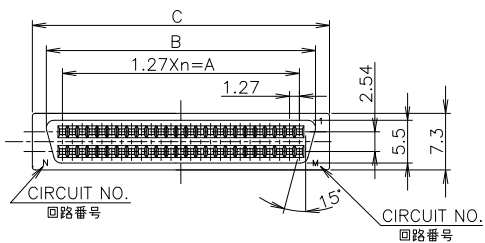
3

2

1

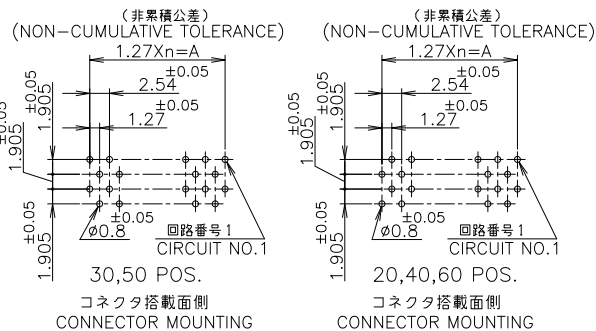
THIS DRAWING IS UNPUBLISHED. RELEASED FOR PUBLICATION MAY, 1994.
 COPYRIGHT 1994 BY TYCO ELECTRONICS CORPORATION. ALL RIGHTS RESERVED.

LOC	DIST	REVISIONS			
P	LTR	DESCRIPTION	DATE	DWN	APVD
C1		REVISED ECO-09-024717	09NOV09	KK	AEG



鉛フリー
LEAD FREE

- MATERIAL & FINISH
 PLUG HOUSING: THERMOPLASTIC (UL94-V0) COLOR: BLACK.
 REC CONTACT: COPPER ALLOY.
 FINISH: OVER NICKEL MATING END: 0.2 μm OR 0.76 μm MIN. GOLD
 TERMINATION END: TIN AND SEALING TREATMENT ALL OVER.
- P.W.B. LAYOUT AND P.W.B. TREATMENT (REF.).
 P.W.B. SURFACE ARE TREATED WITH SOLDER RESIST.
 BOARD THICKNESS: 1.6mm.
- ON KINK POINT (4 PLACES).
- OBsolete PARTS: OBSOLETE CIS STREAMLINING PER D.RENAUD/D.SINISI



Au PL. 0.76[μm] MIN.	20	11	11.43	15.60	19.20	9	20	6-	-5
	60	31	36.83	41.00	44.60	29	60	6-	-4
	50	26	30.48	34.65	38.26	24	50	6-	-3
	40	21	24.13	28.30	31.90	19	40	6-	-2
	30	16	17.78	21.95	25.55	14	30	6-	-1
Au PL. 0.2[μm] MIN.	20	11	11.43	15.60	19.20	9	20		-5
	60	31	36.83	41.00	44.60	29	60		-4
	50	26	30.48	34.65	38.26	24	50		-3
	40	21	24.13	28.30	31.90	19	40		-2
	30	16	17.78	21.95	25.55	14	30		-1

GENERAL TOLERANCE 一般公差

10 ≥ : ±0.2
30 ≥ > 10 : ±0.25
100 ≥ > 30 : ±0.3
ANGLES: ±3°

THIS DRAWING IS A CONTROLLED DOCUMENT.

DIMENSIONS: 単位: 種 MM 公差

TOLERANCES UNLESS OTHERWISE SPECIFIED: 一般公差

0 PLC	±
1 PLC	±
2 PLC	±
3 PLC	±
4 PLC	±
ANGLES	±

MATERIAL 材料

FINISH 仕上

DWN T.KAWAMAE 09MAY94
 CHK Y.FUJIIURA 09MAY94
 APVD Y.FUJIIURA 09MAY94

NAME 名称
 PRODUCT SPEC 製品規格
 APPLICATION SPEC 取付適用規格

SIZE A.3 CAGE CODE 00779 DRAWING NO. 175710

CUSTOMER DRAWING SCALE 尺度 2:1 SHEET 1 OF 1 REV C1

Tyco Electronics AMP K.K. Kawasaki, Japan

PLUG ASSY V WITH KINK AMPLIMITE .050 SERIES I B-TO-B CONN.