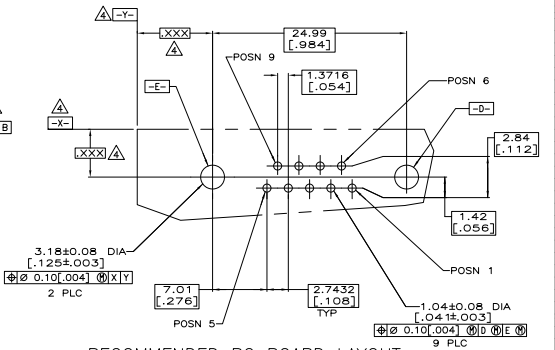
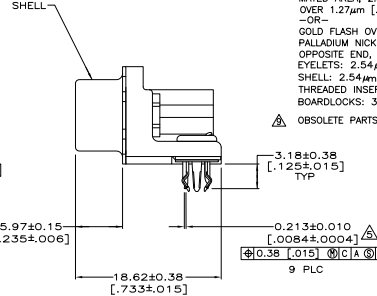
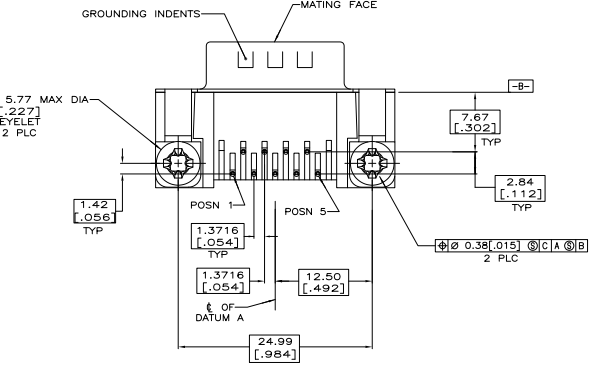
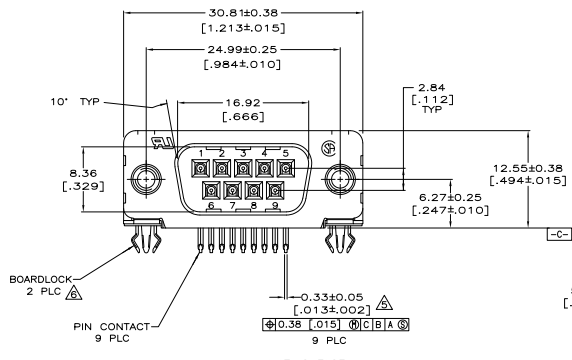
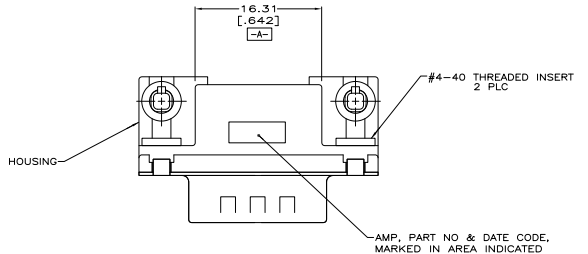


THIS DRAWING IS UNCLASSIFIED  
 UNLESS INDICATED OTHERWISE ALL RIGHTS RESERVED

REV	DATE	DESCRIPTION	BY	CHK
GP 00				
C		REVISED PER ECO-07-000077	JW	SB
CT		REVISED PER ECO-10-000443	SKW	HMR



- △ HOUSING: NYLON, THERMOPLASTIC, UL 94VO RATED, BLACK; SHELL: CARBON STEEL; PIN CONTACTS: BRASS; EYELETS: BRASS; THREADED INSERTS: ZINC; BOARDLOCKS: COPPER ALLOY.
- △ PIN CONTACTS: GOLD PLATED FOR A LENGTH OF 3.81 [150] MIN FROM MATING END, 0.76μm [0.00030] MIN GOLD IN MATED AREA, 2.54μm [0.00100] MIN TIN OR TIN-LEAD FOR A LENGTH OF 3.56 [140] MIN FROM OPPOSITE END, BOTH OVER 1.27μm [0.00050] MIN NICKEL.
  - OR-
  - GOLD FLASH OVER PALLADIUM NICKEL PLATED FOR LENGTH OF 3.81 [150] FROM MATING END, 0.76μm [0.00030] MIN PALLADIUM NICKEL IN MATED AREA, 2.54μm [0.00100] MIN TIN OR TIN-LEAD FOR A LENGTH OF 3.56 [140] MIN FROM OPPOSITE END, BOTH OVER 1.27μm [0.00050] MIN NICKEL.
- △ EYELETS: 2.54μm [0.00100] MIN TIN-LEAD OR TIN OVER COPPER FLASH. SHELL: 2.54μm [0.00100] MIN TIN OVER 1.27μm [0.00050] MIN COPPER. THREADED INSERTS: CLEAR CHROMATE.
- △ BOARDLOCKS: 3.81μm [0.00150] MIN TIN-LEAD OVER 1.27μm [0.00050] MIN NICKEL.
- △ PIN CONTACTS: GOLD PLATED FOR A LENGTH OF 3.81 [150] MIN FROM MATING END, GOLD FLASH IN MATED AREA, 2.54μm [0.00100] MIN TIN OR TIN-LEAD FOR A LENGTH OF 3.56 [0.00100] MIN FROM OPPOSITE END, BOTH OVER 1.27μm [0.00050] MIN NICKEL.
- △ EYELETS: 2.54μm [0.00100] MIN TIN-LEAD OR TIN OVER COPPER FLASH.
- △ SHELL: 2.54μm [0.00100] MIN TIN OVER 1.27μm [0.00050] MIN COPPER.
- △ THREADED INSERTS: CLEAR CHROMATE.
- △ BOARDLOCKS: 3.81μm [0.00150] MIN TIN-LEAD OVER 1.27μm [0.00050] MIN NICKEL.
- △ DATUMS AND BASIC DIMENSIONS ESTABLISHED BY CUSTOMER.
- △ POSITION TOLERANCE APPLIES AT CONTACT TIP.
- △ BOARDLOCKS WILL ACCEPT .062 MAX PRINTED CIRCUIT BOARD THICKNESS.
- 7. COMPATIBLE WITH TYPICAL HIGH TEMPERATURE SOLDERING APPLICATIONS TO A MAXIMUM OF 225°C FOR A MAXIMUM DURATION OF 90 SECONDS. TEMPERATURE TO BE MEASURED ON CONNECTOR SURFACE.
- △ PIN CONTACTS: GOLD PLATED FOR A LENGTH OF 3.81 [150] MIN FROM MATING END, 0.76μm [0.00030] MIN GOLD IN MATED AREA, 2.54μm [0.00100] MIN TIN OR TIN-LEAD FOR A LENGTH OF 3.56 [140] MIN FROM OPPOSITE END, BOTH OVER 1.27μm [0.00050] MIN NICKEL.
  - OR-
  - GOLD FLASH OVER PALLADIUM NICKEL PLATED FOR LENGTH OF 3.81 [150] FROM MATING END, 0.76μm [0.00030] MIN PALLADIUM NICKEL IN MATED AREA, 2.54μm [0.00100] MIN TIN OR TIN-LEAD FOR A LENGTH OF 3.56 [140] MIN FROM OPPOSITE END, BOTH OVER 1.27μm [0.00050] MIN NICKEL.
- △ EYELETS: 2.54μm [0.00100] MIN TIN-LEAD OR TIN OVER COPPER FLASH.
- △ SHELL: 2.54μm [0.00100] MIN TIN OVER 1.27μm [0.00050] MIN COPPER.
- △ THREADED INSERTS: CLEAR CHROMATE.
- △ BOARDLOCKS: 3.81μm [0.00150] MIN TIN OVER 1.27μm [0.00050] MIN NICKEL.
- △ OBSOLETE PARTS: OBSOLETE OIS STREAMLINING PER D.RENAUD/O.SINISI

△ OBSOLETE	6-788792-7
SUP BY 5788792-2	788792-2
△ OBSOLETE	788792-1
△ OBSOLETE	PART NUMBER

THIS DRAWING IS A CONTROLLED DOCUMENT.		DATE	REV	BY	CHK
INCHES	UNLESS OTHERWISE SPECIFIED	108-40025			
MM		114-40010			
DATE	ISSUED	11-11-00			
REV	DATE				
1					
2					
3					
4					
5					
6					
7					
8					
9					
10					
11					
12					
13					
14					
15					
16					
17					
18					
19					
20					
21					
22					
23					
24					
25					
26					
27					
28					
29					
30					