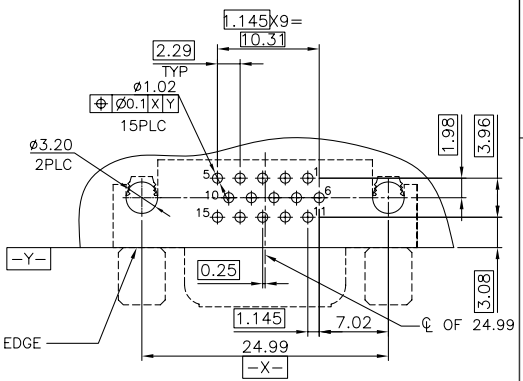
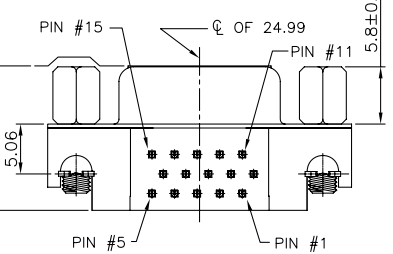
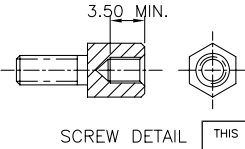
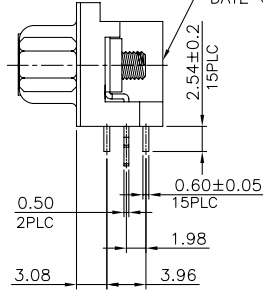
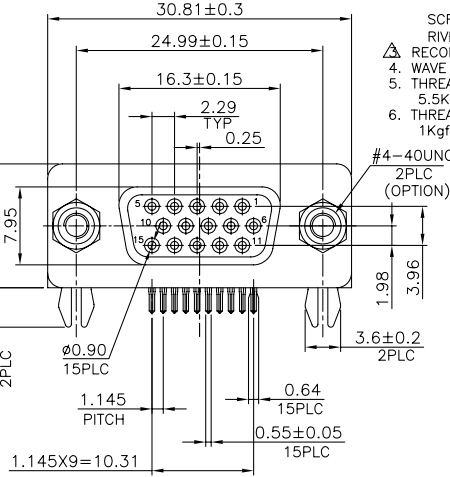
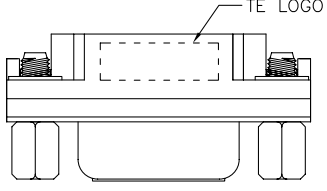


© COPYRIGHT BY TYCO ELECTRONICS CORPORATION. ALL RIGHTS RESERVED.

P	LTR	DESCRIPTION	DATE	DWN	APVD
D		REVISED (ECR-09-010844), OBSOLETE 4-5	18MAY09	SC	WK

- NOTES:
- MATERIAL:  
HOUSING: PA46 WITH 30% GF, UL 94V-0, COLOR: BLUE(661C) OR BLACK.  
CONTACTS: BRASS.  
SHELL: SPCC.  
BOARDLOCKS: SPCC.  
SCREWS: STEEL.  
RIVET: BRASS.
  - FINISH:  
CONTACTS: GOLD (SEE TABLE) PLATED ON CONTACT AREA, 2.54um[100u"]MIN. MATTE-TIN ON SOLDER TAIL, 1.27um[50u"]MIN. NICKEL UNDERPLATED OVER ALL.  
SHELL: 2.54um[100u"]MIN. NICKEL PLATED.  
BOARDLOCK: 2.54um[100u"] BRIGHT-TIN PLATED, 1.27um[50u"]MIN. NICKEL UNDERPLATED OVER ALL.  
SCREWS: 2.54um[100u"]MIN. NICKEL PLATED.  
RIVET: 1.27um[50u"]MIN. NICKEL PLATED.
  - RECOMMENDED PCB THICKNESS: 1.6mm.
  - WAVE SOLDER CAPABLE TO 265°C PER TE SPEC 109-202, CONDITION B.
  - THREADED INSERTS AND SCREWLOCKS MUST WITHSTAND TIGHTEN TORQUE: 5.5kg-cm MAX.
  - THREADED INSERTS AND SCREWLOCKS MUST WITHSTAND LOOSEN TORQUE: 1kgf-cm MIN.

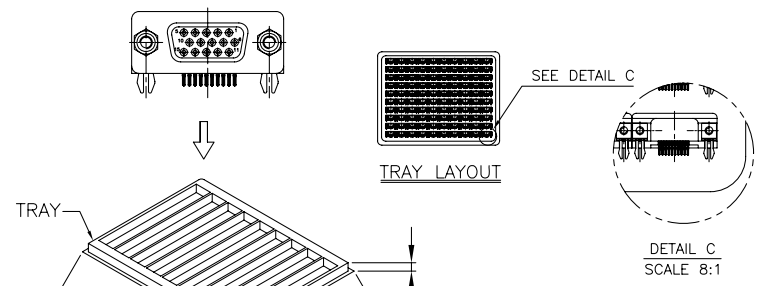


STATUS	DATE	DESCRIPTION	FINISH	COVER COLOR	PART NUMBER
OBSOLETE	5.68	G/F	W/O	BLACK	5-1734078-5
		G/F	W/O	BLUE/661C	5-1734078-4
	7.6	G/F	W/	BLACK	4-1734078-6
OBSOLETE	7.6	0.508um[20um] MIN	W/	BLUE/661C	4-1734078-4
	7.6	0.508um[20um] MIN	W/	BLUE/661C	3-1734078-5
OBSOLETE	5.68	G/F	W/O	BLACK	1-1734078-5
		G/F	W/O	BLUE/661C	1-1734078-4
	7.6	0.762um[30um] MIN	W/	BLUE/661C	4-1734078-5
OBSOLETE	7.6	G/F	W/	BLACK	1734078-6
		G/F	W/	BLUE/661C	1734078-4
NET WEIGHT(g)		GOLD PLATING	SCREW	HSG/COVER COLOR	PART NUMBER

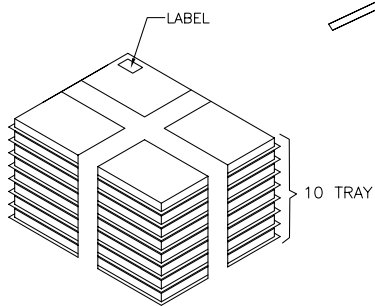
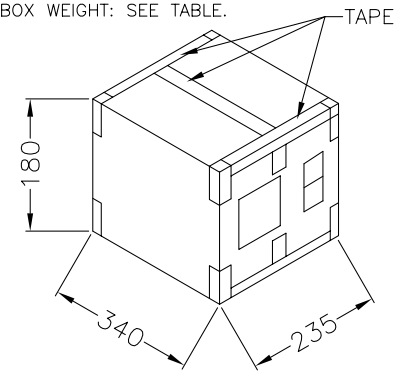
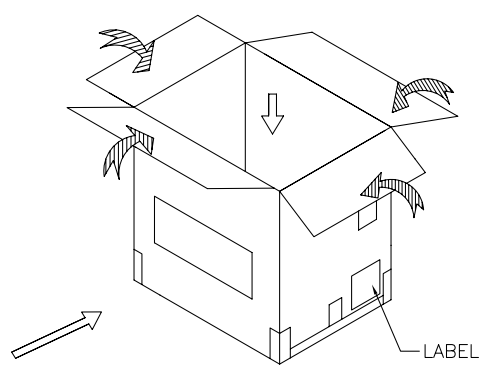
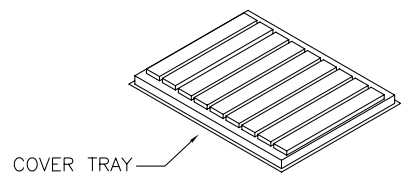
THIS DRAWING IS A CONTROLLED DOCUMENT.

DIMENSIONS: MM	TOLERANCES UNLESS OTHERWISE SPECIFIED:	APVD: W. KODAMA	NAME: D-SUB, 15P, RECEPTACLE, RIGHT ANGLE
0 PLC ± -	1 PLC ± 0.30	PRODUCT SPEC: 108-57744	SIZE: A3
2 PLC ± 0.20	3 PLC ± 0.15	QUALIFICATION TEST REPORT: 501-57956	CAGE CODE: 00779
4 PLC ± -	ANGLES ± 3'	WEIGHT: 7.4 GRAMS	DRAWING NO: 1734078
MATERIAL: SEE NOTE	FINISH: SEE NOTE	CUSTOMER DRAWING	RESTRICTED TO: -

DWN: S. CHIEN 18MAY2009  
 CHK: S. CHIEN 18MAY2009  
 Tyco Electronics Corporation, Taipei, Taiwan  
 SCALE: - SHEET: 1 of 2 REV: D



- NOTES:
- MATERIAL:  
TRAY: PVC  
SHIPPING CARTON: CORRUGATED FIBERBOARD
  - DIMENSION:  
TRAY: L=320, W=215, H=15.  
SHIPPING BOX: L=340, W=235, H=180.
  - QUANTITY: SEE TABLE.
  - SHIPPING BOX WEIGHT: SEE TABLE.



W/O	7.0	5.7	100	10	1000
W/	8.9	7.6	100	10	1000
SCREW	G.W(KG)	N.W(KG)	PCS/TRAY	TRAY/SHIPPING BOX	PCS/SHIPPING BOX

THIS DRAWING IS A CONTROLLED DOCUMENT.

DWN	CHK	APVD	PRODUCT SPEC	APPLICATION SPEC	WEIGHT	CUSTOMER DRAWING
DIMENSIONS: MM 		TOLERANCES UNLESS OTHERWISE SPECIFIED: 0 PLC ± 1 PLC ± 2 PLC ± 3 PLC ± 4 PLC ± ANGLES ±		Tyco Electronics Corporation Taipei, Taiwan NAME: D-SUB, 15P, RECEPTACLE, RIGHT ANGLE SIZE: A3 CAGE CODE: 00779 DRAWING NO: C-1734078 SCALE: SHEET 2 of 2 REV D		