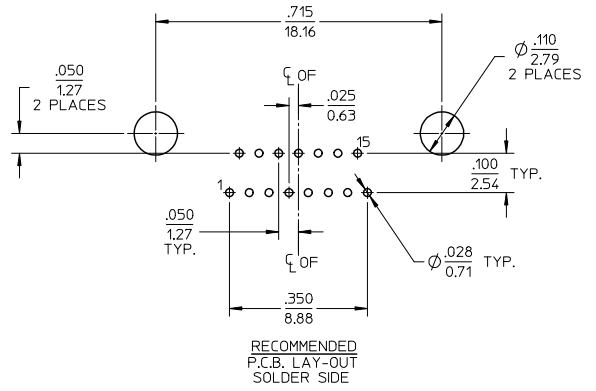
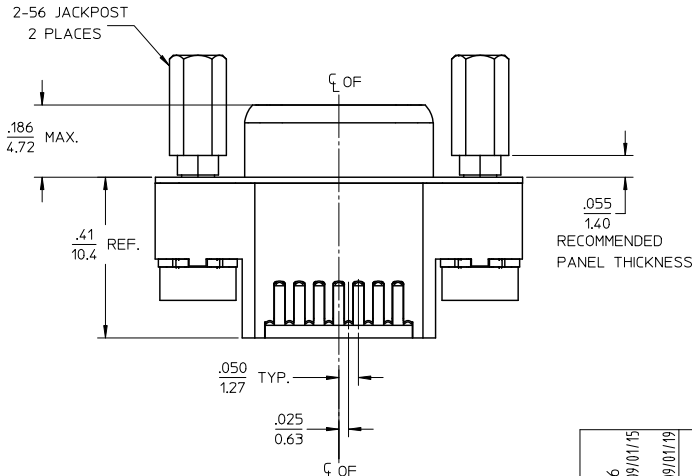
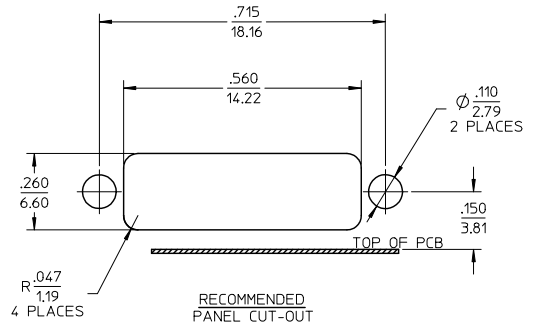
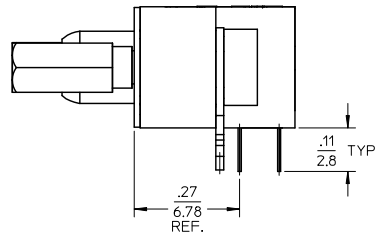
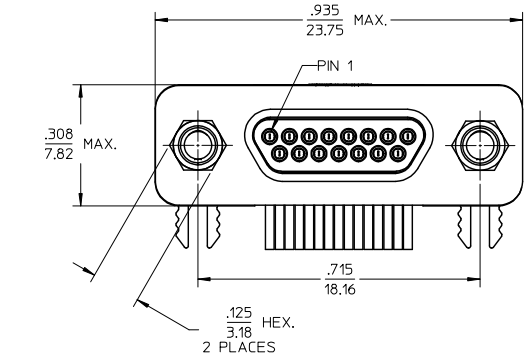


MATERIAL NO.	ENG. NO.
836129020	83612-9020



SALES DRAWING

NOTE:  
 1. REFER TO PS-83421-9000 FOR PRODUCT SPECIFICATION.  
 2. RoHS COMPLIANT

REDRAWN EC NO: WNA 2008-0146 DRAWN: BRUPERT CHYD: 2009/01/15 APPR: J. MURPHY 2009/01/19 DESCRIPTION	QUALITY SYMBOLS	GENERAL TOLERANCES (UNLESS SPECIFIED)	DIMENSION STYLE	SCALE	DESIGN UNITS	THIRD ANGLE PROJECTION															
	$\nabla=0$ $\sphericalangle=0$	<table border="1"> <tr> <th></th> <th>mm</th> <th>INCH</th> </tr> <tr> <td>4 PLACES</td> <td>± .005</td> <td>± .0005</td> </tr> <tr> <td>3 PLACES</td> <td>± .01</td> <td>± .001</td> </tr> <tr> <td>2 PLACES</td> <td>± 0.13</td> <td>± .01</td> </tr> <tr> <td>1 PLACE</td> <td>± 0.25</td> <td>± .01</td> </tr> </table>		mm	INCH	4 PLACES	± .005	± .0005	3 PLACES	± .01	± .001	2 PLACES	± 0.13	± .01	1 PLACE	± 0.25	± .01	IN/MM	4:1	INCH	
		mm	INCH																		
	4 PLACES	± .005	± .0005																		
3 PLACES	± .01	± .001																			
2 PLACES	± 0.13	± .01																			
1 PLACE	± 0.25	± .01																			
DRAFT WHERE APPLICABLE MUST REMAIN WITHIN DIMENSIONS	<table border="1"> <tr> <td>DRAWN BY</td> <td>DATE</td> </tr> <tr> <td>JLOMASTR</td> <td>04/09/20</td> </tr> <tr> <td>CHECKED BY</td> <td>DATE</td> </tr> <tr> <td>RDEROSS</td> <td>04/09/27</td> </tr> <tr> <td>APPROVED BY</td> <td>DATE</td> </tr> <tr> <td>RDEROSS</td> <td>04/09/28</td> </tr> </table>	DRAWN BY	DATE	JLOMASTR	04/09/20	CHECKED BY	DATE	RDEROSS	04/09/27	APPROVED BY	DATE	RDEROSS	04/09/28	TITLE	CONNECTOR COMMERCIAL MICRO D R/A SIZE 15						
DRAWN BY	DATE																				
JLOMASTR	04/09/20																				
CHECKED BY	DATE																				
RDEROSS	04/09/27																				
APPROVED BY	DATE																				
RDEROSS	04/09/28																				
REV	MATERIAL NO.	DOCUMENT NO.	MOLEX INCORPORATED																		
	SEE CHART	SD-83612-002	SHEET NO. 1 OF 1																		
	THIS DRAWING CONTAINS INFORMATION THAT IS PROPRIETARY TO MOLEX INCORPORATED AND SHOULD NOT BE USED WITHOUT WRITTEN PERMISSION																				