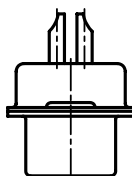
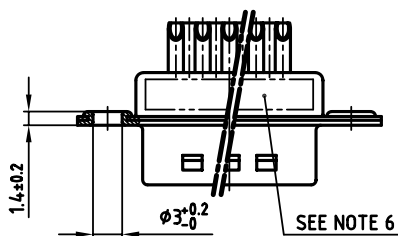
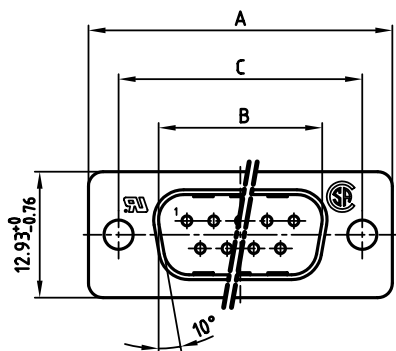
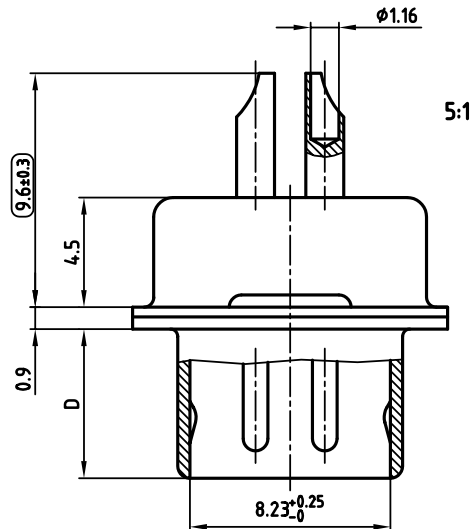


used for: D-SUB FILTER

POS.	A -0.76	B +0.25	C	D -0.3	Part NO.
9	31.19	16.79	25.00 ^{+0.12 -0.13}	6.12	241A26960X
15	39.52	25.12	33.30 ^{+0.15 -0.1}	6.12	241A26970X
25	53.42	38.84	47.04 ^{+0.13}	5.99	241A26980X
37	69.70	55.30	63.50 ^{+0.13}	5.99	241A26990X



NOTES:

1. METALSHELLS: STEEL; min. 320µ" TIN
2. INSULATORS: HIGH TEMPERATURE PLASTIC UL 94 V-0, BLACK
3. CONTACTS: COPPER ALLOY
PLATING: 8µ" HARD GOLD OVER min. 50µ" NICKEL
SOLDER CUP ACCEPTS CABLE AWG 20
4. CAPACITANCE: 1300pF ±20%
5. DIELECTRIC WITHSTANDING VOLTAGE: 424 VDC
6. CONNECTOR IS PART MARKED: PART-NO. CONEC ABC
7. = CHECK DIMENSION

Directive 2002/95/EC
 „RoHS“
 Compliant

APPROVAL # FREIGABE # DEBLOCAGE # AUTORIZACION # APPROVAL

CUSTOMER APPROVAL DATE:

NAME: TITLE:

COMPANY NAME:

APPROVAL # FREIGABE # DEBLOCAGE # AUTORIZACION # APPROVAL

THIS DRAWING MAY NOT BE COPIED OR REPRODUCED IN ANY WAY, AND MAY NOT BE PASSED ON TO A THIRD PARTY, WITHOUT WRITTEN PERMISSION. OWNERSHIP AND COPYRIGHT OF CONEC GmbH DO NOT ALTER CAD DRAWING BY HAND

rev.	description	date	name

tolerance	dim. in mm	scale:	2:1 (5:1)
		material:	SEE NOTES
2006	date	name	title:
drawn	06.02.	Lehmenkühler	D-SUB FILTER MALE 9-37pos. SOLDER CUP
appd.	06.02.	Mickenbecker	
norm	DIN 41652		dwg no:
d-old			AutoCAD 2004
Origin			DIN-A
			3
			sh: 1/1



part no: **24K1A761**

SEE TABLE