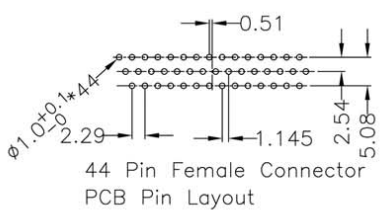
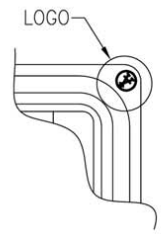
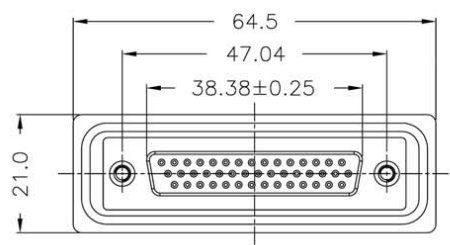
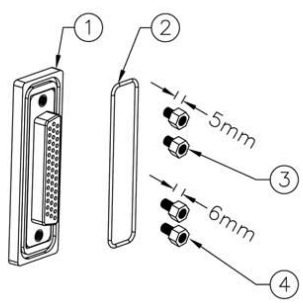
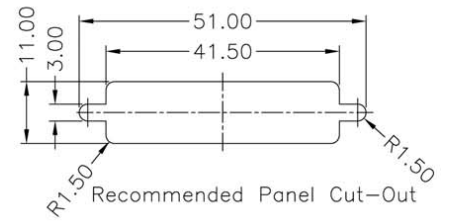


Screw L=5.0 For Panel Thickness Under 1.2mm  
 Screw L=6.0 For Panel Thickness Between 1.2~2.0mm



Note:  
 \* Waterproof Rate : IP67  
 \* Connector : Black,Nylon+GF  
 \* Pin : Copper Alloy,Gold Plated



<b>ITEM NO</b> A-HDF44AA-WP
<b>TITLE</b> D-SUB, High Density, Female, 44 pin, 90°

**ASSMANN**  
 Electronics, Inc.

1840 W. Drake Drive, Suite 101 - Tempe, AZ 85283  
 Toll Free: 1-877-277-6266 Email: info@usa-assmann.com

THIS DRAWING IS UNPUBLISHED  
 © Copyright 2008 by Assmann Electronic Components  
 All International Rights Reserved