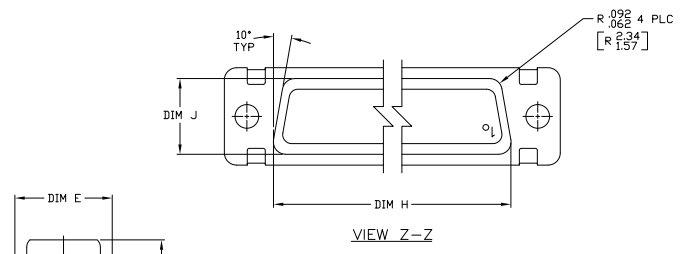
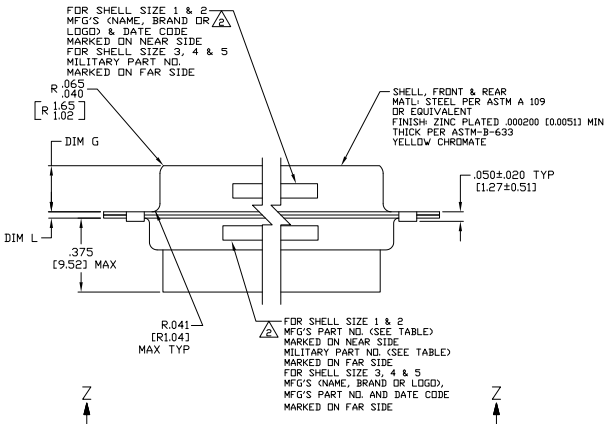


- THE CONNECTOR DESCRIBED IN THIS DOCUMENT WILL MATE WITH ANY PLUG CONNECTOR WITH THE SAME INSERT ARRANGEMENT.
- MARKED WITH .047-.062 [1.19-1.57] HIGH CHARACTERS, FAR SIDE REFERS TO THE WIDE SIDE OF THE KEYSTONE. NEAR SIDE REFERS TO THE NARROW SIDE OF THE KEYSTONE. WHEN SPACE IS LIMITED MARKING CAN BE SPLIT BETWEEN FRONT AND REAR SHELL.
- UL/CSA DESIGNATION STAMPED IN THIS AREA.
- CONNECTOR ASSEMBLY WITHOUT CONTACTS, MFG'S P/N 205090-1. MUST BE ORDERED SEPARATELY.
- CONNECTOR ASSEMBLY SUPPLIED WITH CONTACTS, MFG'S P/N 205090-1. PACKAGED IN A SEPARATE CONTAINER. QTY = NO. OF POSN. (SEE TABLE).



SIZE 20 SOCKET CONTACT
 BODY MATERIAL: COPPER ALLOY PER MIL-C-39029 & MIL-DTL-24308.
 PLATING: GOLD PER ASTM-B-488 (TYPE III) OVER NICKEL PER AMS-00-N-290.
 HEED MAT'L: STAINLESS STEEL FINISH: PASSIVATED

INSERT ASSEMBLY MAT'L: POLYESTER PER MIL-N-24519, TYPE: GPT-30F COLOR: BLUE

REMARKS	MILITARY P/N ON PACKAGE	MILITARY P/N ON CONNECTOR	MARKED MFG'S PART NUMBER	L	J	H	G	F	E	D	C	B	A	INSERT ARRANGEMENT	ND OF POS.	SHELL SIZE	PART NUMBER
	M24308/2-5	M24308/2-5	1-1757820-0	.049 (1.24)	.544 (13.82)	2.188 (55.59)	.248 (6.30)	.439 (11.15)	.620 (15.75)	.428 (10.87)	2.411 (61.24)	2.069 (52.50)	2.650 (67.31)	MS18277-1	50	5	1-1757820-0
	M24308/2-4	M24308/2-4	1757820-9	.049 (1.24)	.432 (10.97)	2.285 (57.96)	.248 (6.30)	.439 (11.15)	.509 (12.93)	.316 (8.03)	2.205 (56.03)	2.164 (54.97)	2.744 (69.70)	MS18276-1	37	4	1757820-9
	M24308/2-3	M24308/2-3	1757820-8	.049 (1.24)	.432 (10.97)	1.635 (41.53)	.248 (6.30)	.439 (11.15)	.509 (12.93)	.316 (8.03)	1.827 (47.17)	1.516 (38.51)	2.103 (53.42)	MS18275-1	25	3	1757820-8
	M24308/2-2	M24308/2-2	1757820-7	.049 (1.24)	.412 (10.46)	1.615 (41.02)	.238 (6.05)	.419 (10.64)	.479 (12.17)	.306 (7.77)	1.847 (46.91)	1.506 (38.25)	2.073 (52.65)	MS18274-1	15	2	1757820-7
	M24308/2-1	M24308/2-1	1757820-6	.020 (0.51)	.432 (10.97)	1.993 (50.76)	.248 (6.30)	.439 (11.15)	.509 (12.93)	.316 (8.03)	1.917 (48.81)	1.746 (44.3)	2.228 (56.19)	MS18273-1	9	1	1757820-6
	M24308/2-285	M24308/2-5	1-1757820-0	.049 (1.24)	.544 (13.82)	2.188 (55.59)	.248 (6.30)	.439 (11.15)	.620 (15.75)	.428 (10.87)	2.411 (61.24)	2.069 (52.50)	2.650 (67.31)	MS18277-1	50	5	1757820-5
	M24308/2-284	M24308/2-4	1757820-9	.049 (1.24)	.432 (10.97)	2.285 (57.96)	.248 (6.30)	.439 (11.15)	.509 (12.93)	.316 (8.03)	2.205 (56.03)	2.164 (54.97)	2.744 (69.70)	MS18276-1	37	4	1757820-4
	M24308/2-283	M24308/2-3	1757820-8	.049 (1.24)	.432 (10.97)	1.635 (41.53)	.248 (6.30)	.439 (11.15)	.509 (12.93)	.316 (8.03)	1.827 (47.17)	1.516 (38.51)	2.103 (53.42)	MS18275-1	25	3	1757820-3
	M24308/2-282	M24308/2-2	1757820-7	.049 (1.24)	.412 (10.46)	1.615 (41.02)	.238 (6.05)	.419 (10.64)	.479 (12.17)	.306 (7.77)	1.847 (46.91)	1.506 (38.25)	2.073 (52.65)	MS18274-1	15	2	1757820-2
	M24308/2-281	M24308/2-1	1757820-6	.040 (1.02)	.432 (10.97)	1.749 (44.53)	.248 (6.30)	.439 (11.15)	.509 (12.93)	.316 (8.03)	1.889 (47.80)	1.648 (41.66)	1.928 (49.19)	MS18273-1	9	1	1757820-1

THIS DRAWING IS A CONTROLLED DOCUMENT. THE ORIGINAL IS IN THE MILLER 6-21-21 FILE.

AMPLIMITE RECEPTACLE ASSY, SIZE 1 THRU 5 SERIES 109 WITH ZINC PLATED SHELLS

DATE: 11/07/79 DRAWING NO: 1757820

CUSTOMER DRAWING