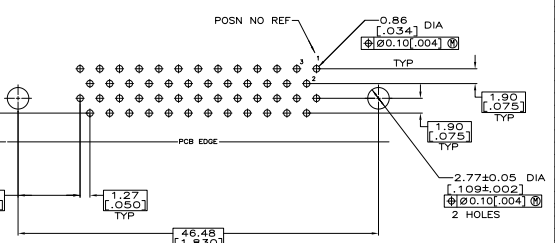
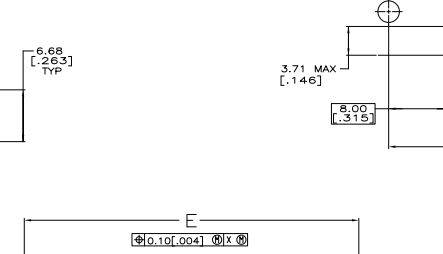
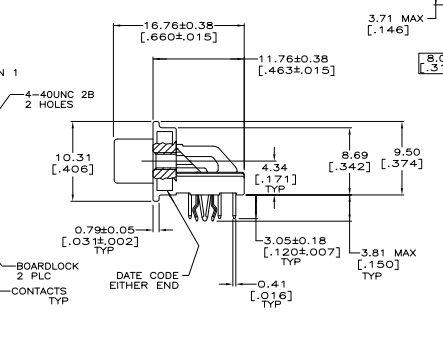
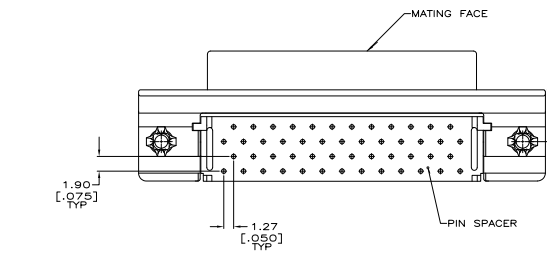
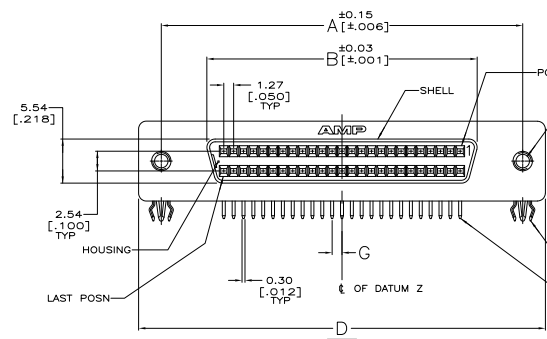
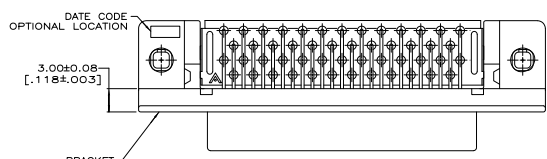
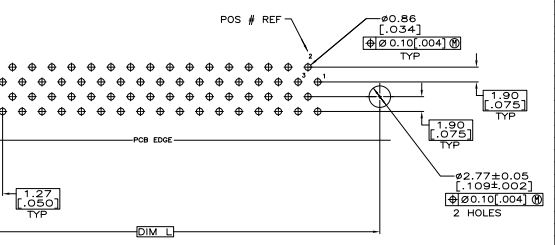


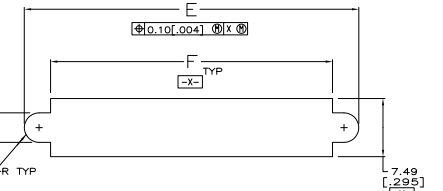
| REV | DATE | DESCRIPTION | BY | CHK | APP |
|-----|------|-----------------------------|----|-----|-----|
| 00 | | | | | |
| 01 | | REVISED FOR ECO-08-08-01444 | | | |



P.C. BOARD MOUNTING DIMENSIONS
 CONECTOR SIDE
 P.C. BOARD THICKNESS 2.36±0.20 [0.93±0.008]
 PC BOARD PATTERN S



P.C. BOARD MOUNTING DIMENSIONS
 CONECTOR SIDE
 P.C. BOARD THICKNESS 2.36±0.20 [0.93±0.008]
 PC BOARD PATTERN T



RECOMMENDED PANEL CUTOUT

- CONTACTS: PHOSPHOR BRONZE
- HOUSING & PIN SPACER: UL 94V-0 RATED, THERMOPLASTIC, BLACK
- BRACKET: ZINC
- SHELL: CARBON STEEL
- BOARDLOCKS: COPPER ALLOY
- CONTACTS: EITHER 0.76µm [0.00030] MIN GOLD PLATE ON MATING END OR GOLD FLASH OVER PALLADIUM NICKEL PLATE, 0.76µm [0.00030] MIN TOTAL, ON MATING END, 3.81µm [0.00150] MIN TIN ON OPPOSITE END FOR A LENGTH OF 2.72 [1.07] MIN, BOTH OVER 1.27µm [0.00050] MIN NICKEL.
- SHELL: 5.08µm [0.00020] MIN NICKEL OVER 1.27µm [0.00050] MIN COPPER.
- BRACKET: 2.54µm [0.00100] MIN NICKEL OVER 5.08µm [0.00020] COPPER.
- BOARDLOCKS: 5.08µm [0.00020] MIN TIN OVER 1.27µm [0.00050] MIN NICKEL.

| T | 78.23 | 0.64 | 69.44 | 82.04 | 84.20 | 66.45 | 78.23 | 100 | 5787362-9 |
|------------------|-------|-------|-------|-------|-------|-------|-------|-----------|-------------|
| | 3.080 | 0.025 | 2.734 | 3.230 | 3.315 | 2.616 | 3.080 | | |
| T | 57.91 | 0.64 | 49.12 | 61.72 | 63.88 | 46.13 | 57.91 | 68 | 5787362-7 |
| | 2.260 | 0.025 | 1.934 | 2.430 | 2.515 | 1.816 | 2.260 | | |
| S | - | 1.27 | 37.69 | 50.29 | 52.45 | 34.70 | 46.48 | 50 | 5787362-5 |
| | | 0.050 | 1.484 | 1.980 | 2.065 | 1.366 | 1.830 | | |
| PC BOARD PATTERN | L | G | F | E | D | B | A | NO OF POS | PART NUMBER |

THIS DRAWING IS A CONTROLLED DOCUMENT. IN PERANCE

| | | | |
|-------------|-------------------------------|------|----|
| DESIGNED BY | REVISIONS | DATE | BY |
| APPROVED BY | 108-1228 | | |
| DATE | 114-40029 | | |
| REVISED FOR | 1.27[0.050] SERIES, AMPLITUDE | | |
| REVISED FOR | 114-40029 | | |
| REVISED FOR | 114-40029 | | |

Two Electronics Corporation
 Harrisburg, PA 17105-3608

RECEPACLE ASSEMBLY,
 RIGHT ANGLE, SHIELDED,
 1.27[0.050] SERIES, AMPLITUDE

100 USE SIZE [DRAWN BY] A1 00779[G]=5787362

CUSTOMER DRAWING