

4

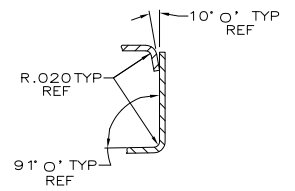
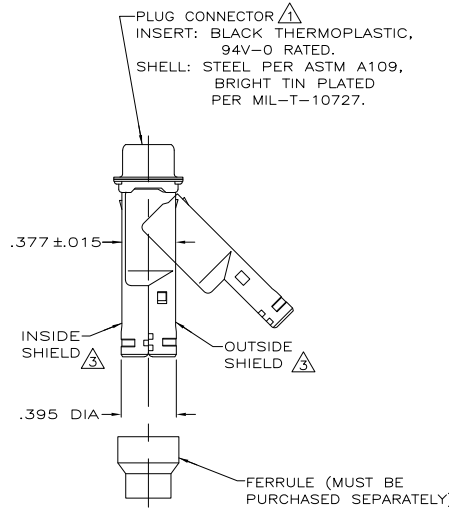
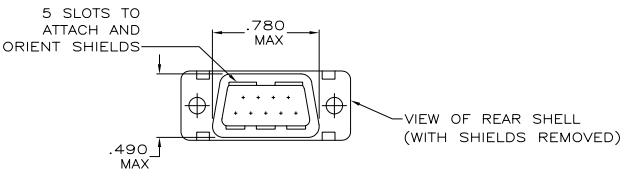
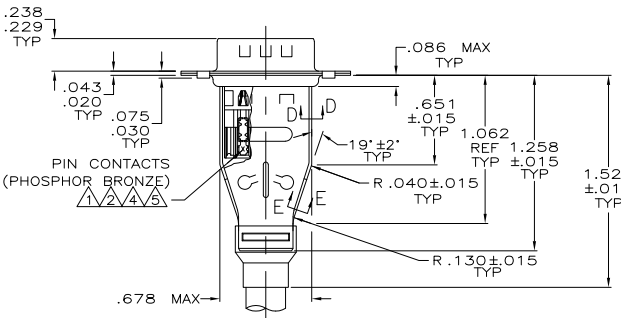
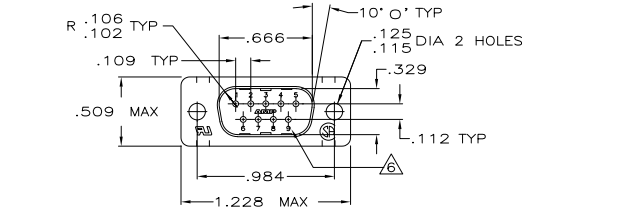
3

2

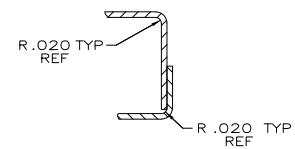
1

THIS DRAWING IS UNPUBLISHED. RELEASED FOR PUBLICATION. ALL RIGHTS RESERVED.

LOC	DIST	REVISIONS					
GP	00	P	LTR	DESCRIPTION	DATE	BY	APPD
		M1		REVISED PER ECO-11-004835	11MAR11	RK	HMR



SECTION D-D
SCALE 4:1



SECTION E-E
SCALE 4:1

- ▲ PLUG CONNECTOR FULLY LOADED WITH CONTACTS. ALL OTHER PARTS SHIPPED UNASSEMBLED (EACH PART INDIVIDUALLY BULK PACKED).
- ▲ NUMBER ON CONTACT INDICATES WIRE RANGE.
- ▲ SHIELDS: MATERIAL-.020 THICK STEEL, TIN PLATED.
- ▲ CONTACTS PLATED GOLD PLATED FOR LENGTH OF .150 MIN FROM MATING END, .00030 MIN GOLD IN MATED AREA, .000100-.000200 BRIGHT TIN OR BRIGHT IN TIN-LEAD IN WIRE TERMINATION AREA, .000050 NICKEL UNDERPLATE ON ENTIRE CONTACT.
- ▲ CONTACTS PLATED GOLD PLATED FOR LENGTH OF .150 MIN FROM MATING END, GOLD FLASH IN MATED AREA, .000100-.000200 BRIGHT TIN OR BRIGHT IN TIN-LEAD IN WIRE TERMINATION AREA, .000030 NICKEL UNDERPLATE ON ENTIRE CONTACT.
- ▲ RAISED CAVITY IDENTIFICATION AND AMP TRADEMARK.
- ▲ CONTACTS GOLD PLATED FOR A LENGTH OF .150 MIN FROM MATING END, .00030 MIN GOLD IN MATED AREA, .000100-.000200 MATTE TIN IN WIRE TERMINATION AREA, ALL OVER .000050 MIN NICKEL UNDERPLATE ON ENTIRE CONTACT.
- OR
- ▲ CONTACTS GOLD PLATED FOR A LENGTH OF .150 MIN FROM MATING END, GOLD FLASH OVER PALLADIUM-NICKEL, .00030 MIN TOTAL IN MATED AREA, .000100-.000200 MATTE TIN IN WIRE TERMINATION AREA, ALL OVER .000050 MIN NICKEL UNDERPLATE ON ENTIRE CONTACT.

OBSOLETE	▲	3	#20-22	747515-8
	▲	2	#22-26	747515-7
OBSOLETE	▲	3	#20-22	747515-6
OBSOLETE	▲	2	#22-26	747515-5
OBSOLETE	▲	1	#26-30	747515-4
OBSOLETE	▲	3	#20-22	747515-3
OBSOLETE	▲	2	#22-26	747515-2
OBSOLETE	▲	1	#26-30	747515-1
	▲		WIRE RANGE	PART NUMBER

THIS DRAWING IS A CONTROLLED DOCUMENT.

DIMENSIONS: INCHES	OTHER DIMENSIONS: MILLIMETERS	DATE: 11-18-04	DATE: 11-18-04
0 PLC ± .005	1 PLC ± .005	2 PLC ± .005	3 PLC ± .005
4 R.C. ANGLES ± .005			
MATERIAL: SEE CALL-OUTS	FINISH: SEE TABLE	DESIGNER: M. WALSLEY	DATE: 11-18-04
		PRODUCT SPEC: 108-40011 & 108-40030	NAME: M. WALSLEY
		APPLICATION SPEC: 114-40002	SIZE: A2
		WEIGHT: -	CAGE CODE: 00779
		CUSTOMER DRAWING	DRAWING NO: 747515
		SCALE: 2:1	SHEET: 1 of 1
			REV: M1

TE Connectivity

KIT, PLUG, SHIELDING HARDWARE, SIZE 1, 9 POSN, HDE-20, AMPLIMITE