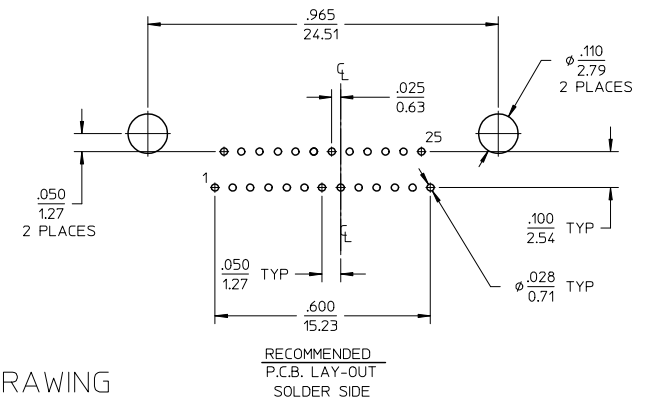
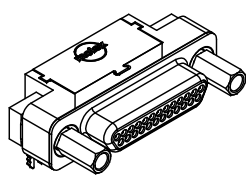
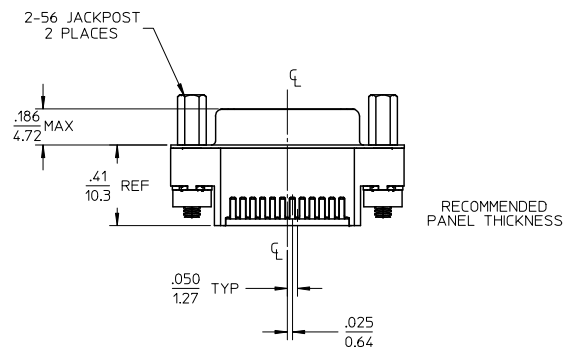
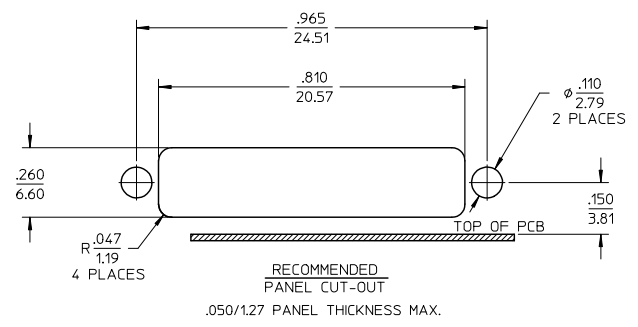
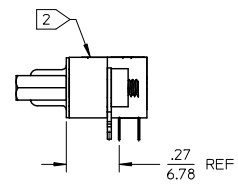
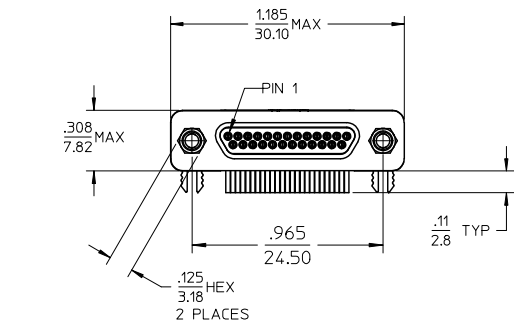


MATERIAL NO.	ENG. NO.
836149012	83614-9012



SALES DRAWING

3. ROHS COMPLIANT
 2. DATE CODE LOCATION
 1. REFER TO PS-83421-9000 FOR PRODUCT SPECIFICATION.
 NOTES: UNLESS OTHERWISE SPECIFIED.

REDRAWN EIC NO: MNA2008-0147 DRAWN: BRUPERT CHKD: JPMURPHY APPR: JPMURPHY 2009/07/02 2009/07/08 DESCRIPTION	QUALITY SYMBOLS	GENERAL TOLERANCES (UNLESS SPECIFIED) <table border="1"> <tr> <th></th> <th>mm</th> <th>INCH</th> </tr> <tr> <td>4 PLACES</td> <td>± .005</td> <td>± .0005</td> </tr> <tr> <td>3 PLACES</td> <td>± .013</td> <td>± .001</td> </tr> <tr> <td>2 PLACES</td> <td>± 0.25</td> <td>± .010</td> </tr> <tr> <td>1 PLACE</td> <td>± 0.25</td> <td>± .010</td> </tr> </table>		mm	INCH	4 PLACES	± .005	± .0005	3 PLACES	± .013	± .001	2 PLACES	± 0.25	± .010	1 PLACE	± 0.25	± .010	DIMENSION STYLE	SCALE	DESIGN UNITS	THIRD ANGLE PROJECTION
			mm	INCH																	
	4 PLACES	± .005	± .0005																		
	3 PLACES	± .013	± .001																		
2 PLACES	± 0.25	± .010																			
1 PLACE	± 0.25	± .010																			
DRAFT WHERE APPLICABLE MUST REMAIN WITHIN DIMENSIONS	IN/MM	2:1	INCH																		
		DRAWN BY: JLOMASTR DATE: 04/09/22 CHECKED BY: RDEROSS DATE: 04/09/27 APPROVED BY: RDEROSS DATE: 04/09/29	TITLE	COMM-D,PLG,RT ANG SIZE 25,REM,JKPOST																	
		MATERIAL NO. SEE CHART SIZE A3	MOLEX INCORPORATED DOCUMENT NO. SD-83614-001 SHEET NO. 1 OF 1																		