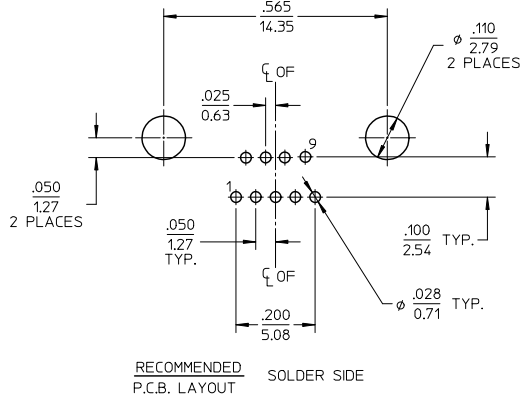
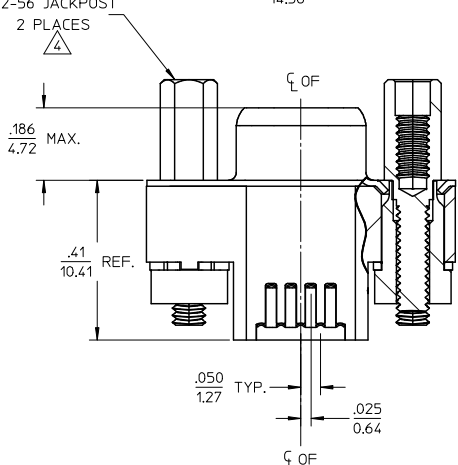
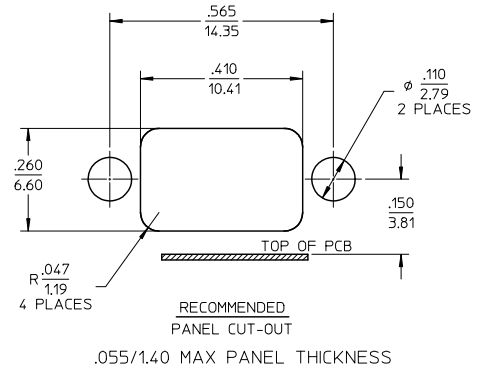
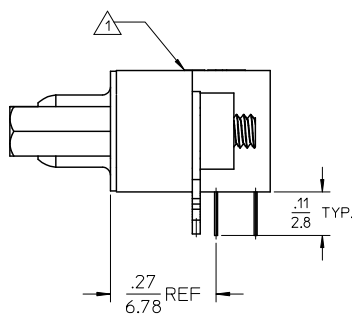
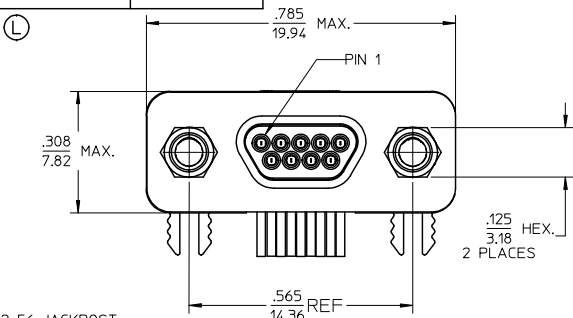


10 9 8 7 6 5 4 3 2 1

MATERIAL NO.	ENG. NO.
836119006	83611-9006
836119201	83611-9201



NOTES:  
 1. DATE CODE : 08(YR)XX(WEEK)(CHINA)  
 2. SEE PS-83421-9000  
 3. ROHS COMPLIANT.  
 4. 2.5 IN/LB TORQUE MAX.

<b>REDRAWN</b> EC NO: WNA2010-0095 DRW: BRIPERT 2009/08/10 CHK: BRIPERT APPR: J. MURPHY 2009/08/10 REV DESCRIPTION	QUALITY SYMBOLS	GENERAL TOLERANCES (UNLESS SPECIFIED)	DIMENSION STYLE IN/MM	SCALE 4:1	DESIGN UNITS INCH	THIRD ANGLE PROJECTION																		
	$\nabla=0$ $\sphericalangle=0$	<table border="1"> <tr> <th></th> <th>mm</th> <th>INCH</th> </tr> <tr> <td>4 PLACES</td> <td>± .005</td> <td>± .005</td> </tr> <tr> <td>3 PLACES</td> <td>± .010</td> <td>± .010</td> </tr> <tr> <td>2 PLACES</td> <td>± .015</td> <td>± .015</td> </tr> <tr> <td>1 PLACE</td> <td>± .025</td> <td>± .010</td> </tr> <tr> <td colspan="2">ANGULAR</td> <td>± 1°</td> </tr> </table>		mm	INCH	4 PLACES	± .005	± .005	3 PLACES	± .010	± .010	2 PLACES	± .015	± .015	1 PLACE	± .025	± .010	ANGULAR		± 1°	DRAWN BY JLOMASTR DATE 04/09/21 CHECKED BY RDEROSS DATE 04/09/28 APPROVED BY RDEROSS DATE 04/09/28	TITLE	<b>CONNec.COMMERCIAL-D,PLUG RT ANGLE,JKPOST,SIZE 9</b>	
		mm	INCH																					
	4 PLACES	± .005	± .005																					
3 PLACES	± .010	± .010																						
2 PLACES	± .015	± .015																						
1 PLACE	± .025	± .010																						
ANGULAR		± 1°																						
DRAFT WHERE APPLICABLE MUST REMAIN WITHIN DIMENSIONS	MATERIAL NO. SEE CHART SIZE A 3	THIS DRAWING CONTAINS INFORMATION THAT IS PROPRIETARY TO MOLEX INCORPORATED AND SHOULD NOT BE USED WITHOUT WRITTEN PERMISSION	MOLEX MOLEX INCORPORATED DOCUMENT NO. SD-83611-001	SHEET NO. 1 OF 1																				

ib\_frame\_A3\_P\_AM\_T  
 Rev. E 2006/04/15

9 8 7 6 5 4 3 2 1