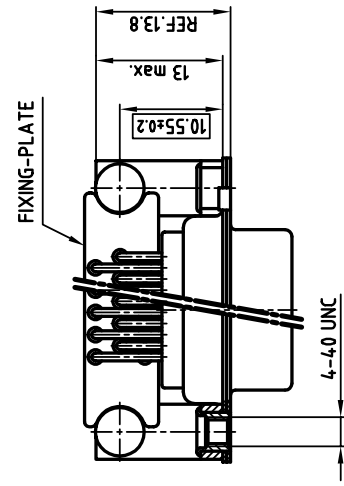
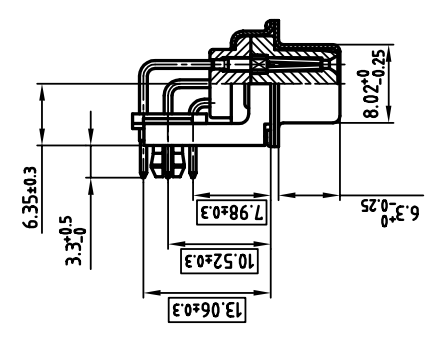
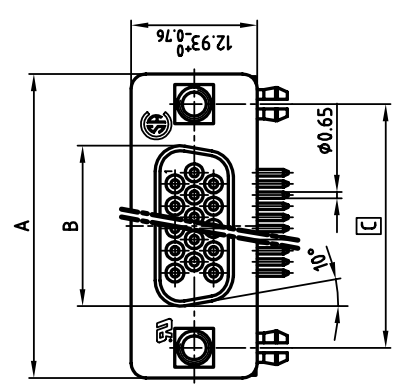


used for: D-SUB HD



**NOTES:**

1. METAL SHELLS: STEEL; min. 320µ" TIN
2. INSULATORS: PBT GF UL 94 V-0, BLACK
3. CONTACTS: COPPER ALLOY
4. PLATING: min. 8µ" HARD GOLD OVER min. 50µ" NICKEL
5. METAL BRACKET: STEEL; min. 320µ" TIN over 80µ" NICKEL
6. FIXING-PLATE: PBT GF UL 94 V-0, BLACK
7. THREADED INSERT: COPPER ALLOY; min. 200µ" TIN over 80µ" NICKEL
8. PCB-SNAP: COPPER ALLOY; min. 200µ" TIN over 80µ" NICKEL  
PCB-HOLE:  $\phi 3.1 \pm 0.1$ ; PCB THICKNESS: 1.6mm
9. P.C.B. HOLE DRILLINGS ON DRAWING NO.: 16V1H6B
10. MAXIMUM TORQUE VALUE FOR THREAD: 6" LBS
11.   = CRITICAL DIMENSION: SPC

Tolerance		2:1		SEE NOTES	
CONEC CORPORATION BRAMPTON, ONTARIO		scale:		material:	
2001	date	name	title:		
drawn	22.11.	Pareil	<b>D-SUB HD FEMALE 90°</b> 15-62pos. 0.350inch threaded insert, metal bracket, fixing-plate, clip		
appd.	22.11.	Resomek			
norm					
d-old					
DO NOT ALTER CAD DRAWING BY HAND		AutoCAD 2000		DIN-A	
OWNERSHIP AND COPYRIGHT OF CONEC GMBH		16K1A375A		3	
WRITTEN PERMISSION		16K1A375A		3	
BE PASSED ON TO A THIRD PARTY WITHOUT		16K1A375A		3	
REPRODUCED IN ANY WAY, AND MAY NOT		16K1A375A		3	
THIS DRAWING MAY NOT BE COPIED OR		16K1A375A		3	
REV. DESCRIPTION		DATE		NAME	
DO NOT ALTER CAD DRAWING BY HAND		DATE		NAME	

POS.	A <sup>-0.76</sup>	B <sup>-0.25</sup>	C	Part NO.
15	31.19	16.46	25.00 <sup>-0.13</sup>	164A18179X
26	39.52	24.79	33.30 <sup>-0.15</sup>	164A18189X
44	53.42	38.50	47.04 <sup>-0.13</sup>	164A18199X
62	69.70	54.96	63.50 <sup>-0.13</sup>	164A18209X



part no: SEE TABLE

1 2 3 4 5 6 7 8

1 2 3 4 5 6 7 8

1 2 3 4 5 6 7 8

1 2 3 4 5 6 7 8

1 2 3 4 5 6 7 8

1 2 3 4 5 6 7 8

1 2 3 4 5 6 7 8

1 2 3 4 5 6 7 8

1 2 3 4 5 6 7 8

1 2 3 4 5 6 7 8

1 2 3 4 5 6 7 8

1 2 3 4 5 6 7 8

1 2 3 4 5 6 7 8

1 2 3 4 5 6 7 8

1 2 3 4 5 6 7 8

1 2 3 4 5 6 7 8

1 2 3 4 5 6 7 8

1 2 3 4 5 6 7 8

1 2 3 4 5 6 7 8

1 2 3 4 5 6 7 8

1 2 3 4 5 6 7 8