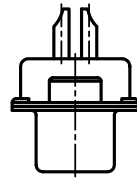
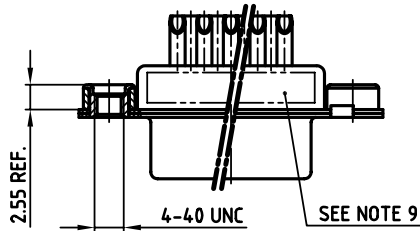
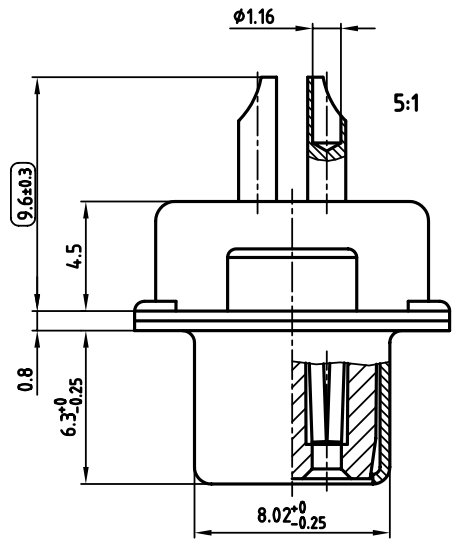
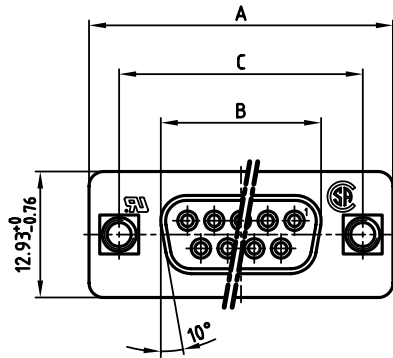


POS.	A <sup>-0.76</sup>	B <sup>-0.25</sup>	C	PART-NO.
9	31.19	16.46	25.00 <sup>+0.12</sup> <sub>-0.13</sub>	<b>242A27020X</b>
15	39.52	24.79	33.30 <sup>+0.15</sup> <sub>-0.1</sub>	<b>242A27030X</b>
25	53.42	38.50	47.04 <sup>±0.13</sup>	<b>242A27040X</b>
37	69.70	54.96	63.50 <sup>±0.13</sup>	<b>242A27050X</b>

used for: D-SUB FILTER



**NOTES:**

- METAL SHELLS: STEEL; min. 320µ" TIN
- INSULATORS: PBT GF UL 94 V-0, BLACK
- CONTACTS: COPPER ALLOY  
PLATING: 8µ" HARD GOLD OVER min. 50µ" NICKEL  
SOLDER CUP ACCEPTS CABLE AWG 20
- THREADED INSERT: COPPER ALLOY; min. 200µ" TIN over 80µ" NICKEL
- COLLAR: COPPER ALLOY; min. 200µ" TIN over 80µ" NICKEL
- CAPACITANCE: 1300pF ±20%
- DIELECTRIC WITHSTANDING VOLTAGE: 424 VDC
- MAXIMUM TORQUE VALUE FOR THREAD: 6" LBS
- CONNECTOR IS PART MARKED: [PART-NO. CONEC ABC]
- [ ] = CHECK DIMENSION

Directive 2002/95/EC  
RoHS  
Compliant

APPROVAL # FREIGABE # DEBLOCAGE # AUTOR/ZACION # APPROVAL	
CUSTOMER APPROVAL DATE:	
NAME:	TITLE:
COMPANY NAME:	
APPROVAL # FREIGABE # DEBLOCAGE # AUTOR/ZACION # APPROVAL	

THIS DRAWING MAY NOT BE COPIED OR REPRODUCED IN ANY WAY, AND MAY NOT BE PASSED ON TO A THIRD PARTY, WITHOUT WRITTEN PERMISSION. OWNERSHIP AND COPYRIGHT OF CONEC GmbH. DO NOT ALTER CAD DRAWING BY HAND

rev.	description	date	name
a	Origin		

tolerance	scale: 2:1
	material: SEE NOTES
2006 date name	title: D-SUB FILTER FEMALE
drawn 03.02. Lehnenkühler	9-37pos. SOLDER CUP
appd. 03.02. Mickenbecker	with threaded insert
norm DIN 41652	dwg no: AutoCAD 2004
d-old	DIN-A
	3
	sh: 1/1
part no: SEE TABLE	