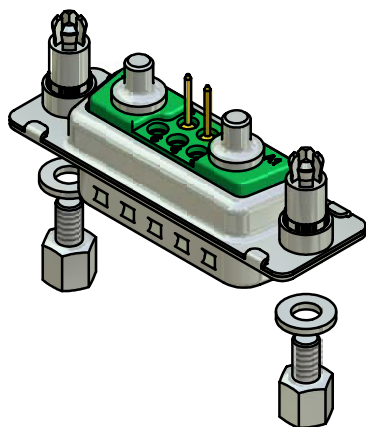
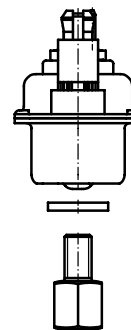
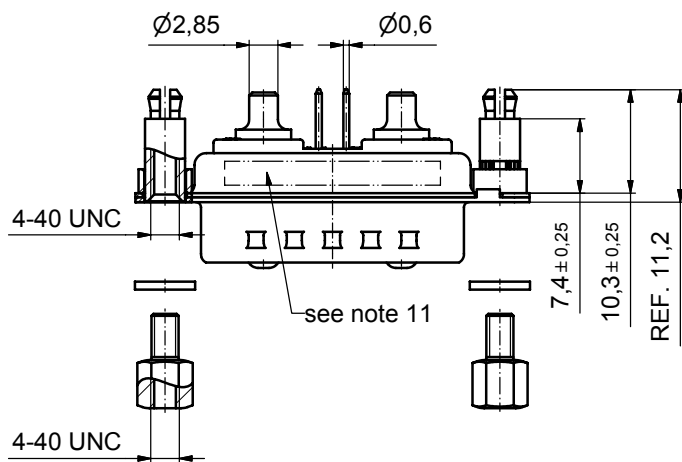
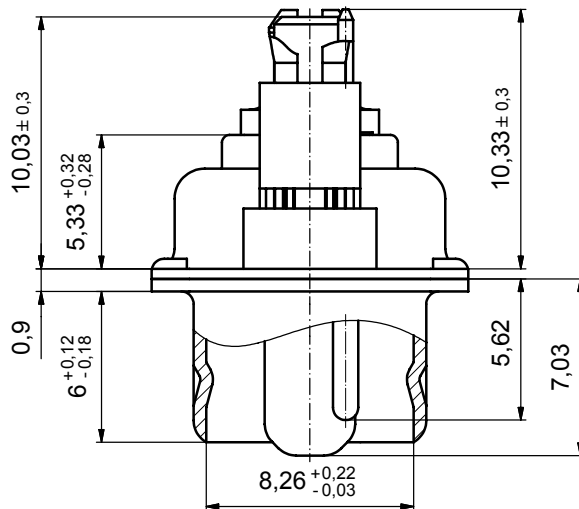
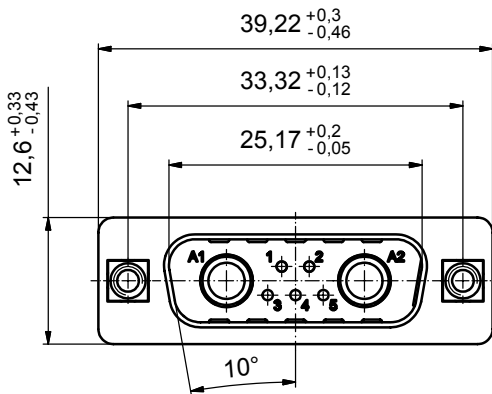


(5:1)



Directive 2002/95/EC  
RoHS  
Compliant

NOTES:

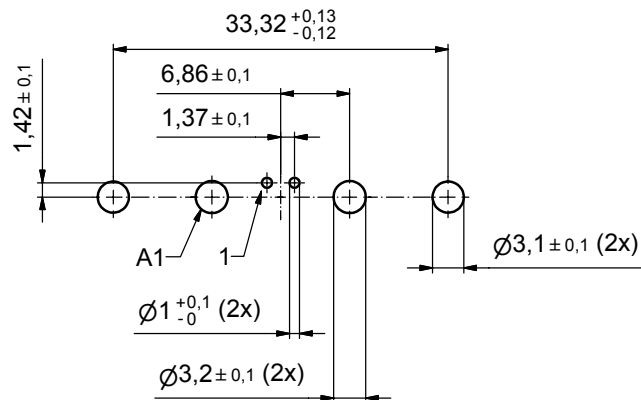
- METALSHELLS: STEEL; min. 315µm TIN over 40-80µm NICKEL
- INSULATORS: PBT GF UL 94 V-0; GREEN
- HIGH POWER CONTACTS 20A: COPPER ALLOY  
PLATING MATING AREA: 30µm HARD GOLD over min. 50µm NICKEL  
PLATING TERMINATION SIDE: 160-240µm TIN over 80µm NICKEL  
MALE CONTACT ON POS. A1 and A2
- SIGNAL CONTACTS: COPPER ALLOY; 7,5A nominal  
PLATING MATING AREA: 30µm HARD GOLD over min. 50µm NICKEL  
MALE CONTACTS ON POS. 1 and 2, NO CONTACTS ON POS. 3, 4, 5
- THREADED SPACER CLIP: COPPER ALLOY; min. 200µm TIN over 80µm NICKEL  
PCB-HOLE: ø3,1±0,1mm; PCB-THICKNESS: 1,6mm
- P.C.B. HOLE DRILLINGS ON SHEET 2
- COLLAR: COPPER ALLOY; min. 200µm TIN over 80µm NICKEL
- HEX BOLT: STEEL; NICKEL PLATED
- WASHER: STEEL; NICKEL PLATED
- MAXIMUM TORQUE VALUE FOR THREAD: 6" LBS
- CONNECTOR IS PART MARKED: 13-000111 CONEC ABC

APPROVAL # FREIGABE # DEBLOCAGE # AUTORIZACION # APPROVAL	
CUSTOMER APPROVAL DATE:	
NAME:	TITLE:
COMPANY NAME:	
APPROVAL # FREIGABE # DEBLOCAGE # AUTORIZACION # APPROVAL	

THIS DRAWING MAY NOT BE COPIED OR REPRODUCED IN ANY WAY, AND MAY NOT BE PASSED ON TO A THIRD PARTY WITHOUT WRITTEN PERMISSION. OWNERSHIP AND COPYRIGHT OF CONEC GmbH	
DO NOT ALTER CAD DRAWING BY HAND	
rev.	description
a	Origin

tolerance	
dim. in mm	
date	name
drawn 15.06.07	Schmidt
appd. 15.06.07	Koch
norm	
d-old	
<b>CONEC</b>	

scale:	2:1 (5:1)	
material:	see notes	
title:		
Micro TCA Single Port Power Module Input Connector Male with threaded spacer clip and hex bolt		
dwg no:	Inventor 10	DIN-A3
	13K1A2064	sh: 1
part no:	13-000111	



APPROVAL # FREIGABE # DEBLOCAGE # AUTORIZACION # APPROVAL	
CUSTOMER APPROVAL DATE:	
NAME:	TITLE:
COMPANY NAME:	
APPROVAL # FREIGABE # DEBLOCAGE # AUTORIZACION # APPROVAL	

THIS DRAWING MAY NOT BE COPIED OR REPRODUCED IN ANY WAY, AND MAY NOT BE PASSED ON TO A THIRD PARTY WITHOUT WRITTEN PERMISSION. OWNERSHIP AND COPYRIGHT OF CONEC GmbH DO NOT ALTER CAD DRAWING BY HAND

rev.	description	date	name
a	Origin		

tolerance	
dim. in mm	
date	name
drawn 15.06.07	Schmidt
appd. 15.06.07	Koch
norm	
d-old	

scale:	2:1	
material:	see sheet 1	
title:	P.C.B. HOLE DRILLINGS MicroTCA Male Single Port Power Module Input Connector	
dwg no:	Inventor 10	DIN-A3
	13K1A2064	sh: 2
part no:	see sheet 1	

