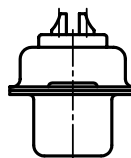
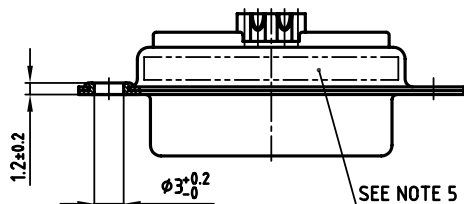
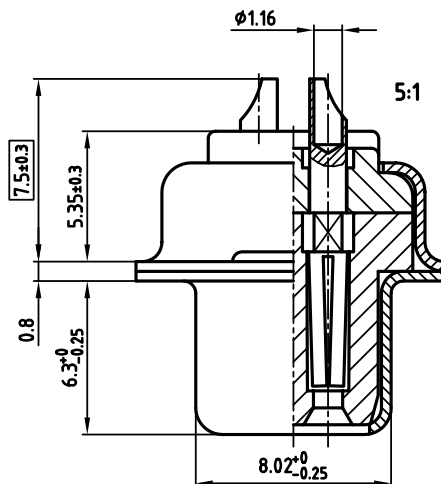
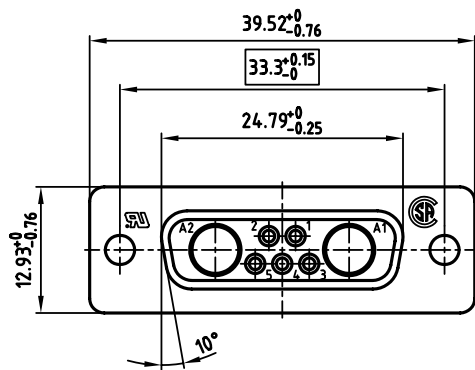


used for: D-SUB COMBINATION



**NOTES:**

1. METALSHELLS: STEEL; min. 320µ" TIN
2. INSULATORS: PBT GF UL 94 V-0, GREEN
3. SIGNAL CONTACTS: COPPER ALLOY  
SOLDER CUP ACCEPTS CABLE AWG 20
4. PLATING: min. 30µ" HARD GOLD OVER min. 50µ" NICKEL
5. CONNECTOR IS PART MARKED: 3007W2SCM99A10X CONEC Y/WW
6.   = CRITICAL DIMENSION

Directive 2002/95/EC  
"RoHS"  
Compliant

THIS DRAWING MAY NOT BE COPIED OR REPRODUCED IN ANY WAY, AND MAY NOT BE PASSED ON TO A THIRD PARTY, WITHOUT WRITTEN PERMISSION. OWNERSHIP AND COPYRIGHT OF CONEC GmbH. DO NOT ALTER CAD DRAWING BY HAND

rev.	description	date	name

tolerance		scale: 2:1
material:	SEE NOTES	
2002 date	name	
drawn 07.05.	Parei	
appd. 07.05.	E. Mickenbecker	
norm		
d-old		
rev.	description	date

title:		D-SUB COMBINATION FEMALE	
material:		7W2S SOLDER CUP	
dwg no:	AutoCAD 2000	DIN-A	
	13K1A563	3	
		sh: 1/1	
part no:		3007W2SCM99A10X	