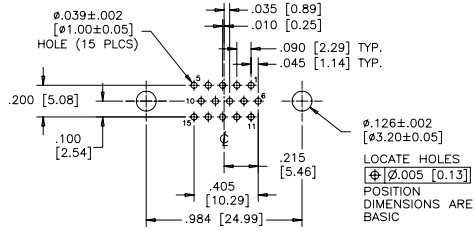
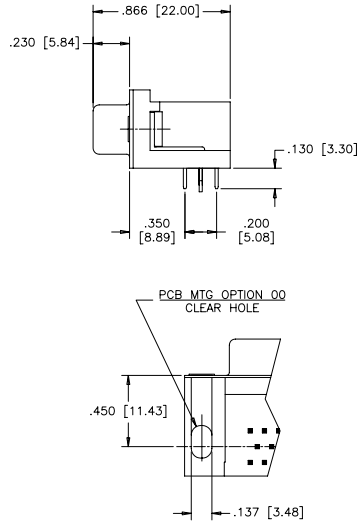
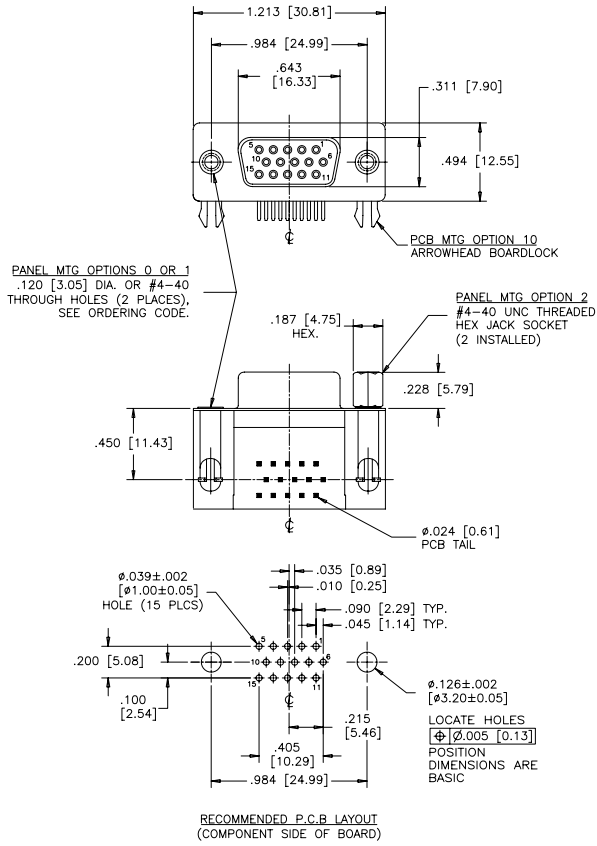


REVISIONS			
REV	ECN, ERN NO.	DATE	APPRD.
A	PRODUCT DRAWING (EAR 12992)	DEC12/06	K.L.



RECOMMENDED P.C.B. LAYOUT  
(COMPONENT SIDE OF BOARD)

ORDERING CODE:  
 PART NUMBER: 1 7 E B H - 0 1 5 S A M - 2 1 0  
 SERIES  
 NUMBER OF CONTACTS  
 015  
 STYLE  
 S= SOCKET  
 CONTACT PLATING OPTIONS FOR ENGAGEMENT AREA  
 AA= 3µ" [0.08 MICRONS] GOLD FLASH  
 CH= 15µ" [0.38 MICRONS] GOLD  
 AM= 30µ" [0.76 MICRONS] GOLD  
 PCB MOUNTING OPTIONS  
 00= CLEAR HOLE  
 10= ARROWHEAD BOARDLOCK  
 PANEL MOUNTING OPTIONS  
 0= .120 [3.05] CLEAR HOLE  
 1= #4-40 THREADED HOLE  
 2= #4-40 UNC THREADED HEX JACK SOCKETS

**SPECIFICATIONS:**

**MATERIALS:** ALL MATERIALS ARE RoHS COMPLIANT.  
**SHELLS:** STEEL, TIN PLATED.  
**INSERTS:** HIGH TEMPERATURE RESISTANT NYLON, GLASS REINFORCED, UL FLAMMABILITY RATING 94V-0, COLOUR: BLACK.  
**CONTACTS:** COPPER ALLOY, GOLD PLATING (SEE ORDERING CODE) OVER 50µ" [1.27 MICRONS] NICKEL ON ENGAGEMENT AREA WITH 100µ" [2.54 MICRONS] MIN. MATTE TIN ON CONTACT TERMINALS.  
**BOARDLOCK:** COPPER ALLOY, TIN PLATED.

**ELECTRICAL DATA:**  
**CURRENT RATING:** 3 AMP  
**CONTACT RESISTANCE:** 15 MILLIOHMS MAX.  
**INSULATION RESISTANCE:** 5000 MEGOHMS MIN.  
**DIELECTRIC WITHSTANDING VOLTAGE:** 1000 VAC rms  
**OPERATING TEMPERATURE:** -55°C TO +105°C

DRAWN	J.LEE	DATE	DEC12/06
DESIGNED			
CHECKED	K.LAMBIE	DATE	DEC12/06
I. E. APPRD.			
Q. A. APPRD.			
DWG. APPRD.			
ENG. REL. NO.			
REF.	EAR 12992		
DIMENSIONS ARE IN		CODE ID. NO.	
INCHES [mm]		03554	

**Amphenol Canada Corp.**  
 TITLE 17EBH SERIES HIGH DENSITY D-SUB CONNECTOR, 15 SIZE SOCKET, RIGHT ANGLE PCB CONTACTS, PLATING & MOUNTING OPTIONS, RoHS COMPLIANT

DWG.	DRAWING NO.	REV.
C	P-17EBH-015SXX-XX0	A
SCALE	2/1	WT. ----- SURF. ----- SHEET 1 OF 1

THIS DOCUMENT CONTAINS PROPRIETARY INFORMATION AND SUCH INFORMATION MAY NOT BE DISCLOSED TO OTHERS FOR ANY PURPOSE OR USED FOR MANUFACTURING PURPOSES WITHOUT WRITTEN PERMISSION FROM AMPHENOL CANADA CORP.