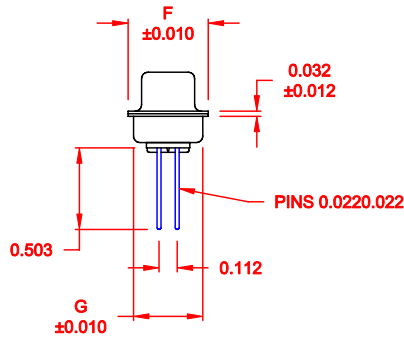
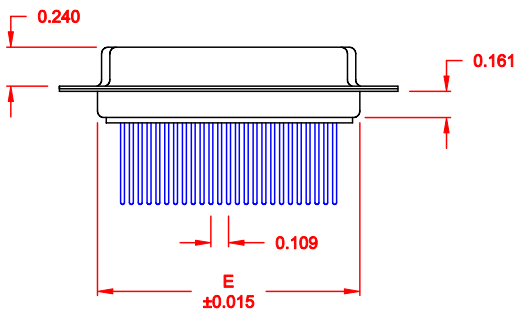
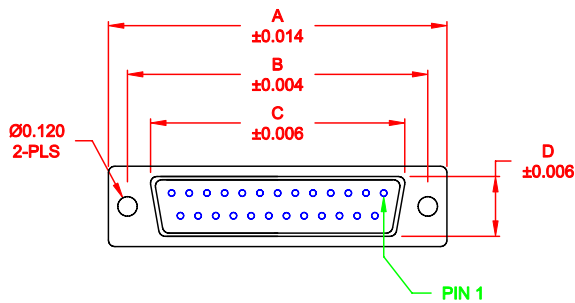


DESCRIPTION: FEMALE - WIRE WRAP / MACHINED - PREMIUM



MATERIAL:

SHELL: STEEL, TIN
 INSULATOR: UL 94V-O RATED, BEIGE PBTP
 PROCESS TEMP.: 260° C
 CONTACT: BRASS

ELECTRICAL:

CURRENT RATING: 5 AMPS
 CONTACT RESISTANCE: 15 mOhms Max.
 INSULATION RESISTANCE: 1,000 MOhms min.
 VOLTAGE: 500VAC FOR 1 MINUTE
 TEMPERATURE: -50° C TO 100° C

RoHS COMPLIANT

| No. OF PINS | DIMENSIONS | | | | | | |
|-------------|------------|-------|-------|-------|-------|-------|-------|
| | A | B | C | D | E | F | G |
| 9 | 1.213 | 0.984 | 0.642 | 0.315 | 0.760 | 0.480 | 0.429 |
| | 30.80 | 24.99 | 16.30 | 8.00 | 19.30 | 12.20 | 10.90 |
| 15 | 1.541 | 1.312 | 0.969 | 0.315 | 1.083 | 0.480 | 0.429 |
| | 39.15 | 33.32 | 24.60 | 8.00 | 27.51 | 12.20 | 10.90 |
| 25 | 2.088 | 1.852 | 1.512 | 0.315 | 1.630 | 0.480 | 0.429 |
| | 53.04 | 47.04 | 38.40 | 8.00 | 41.40 | 12.20 | 10.90 |
| 37 | 2.729 | 2.500 | 2.157 | 0.315 | 2.276 | 0.480 | 0.429 |
| | 69.32 | 63.50 | 54.80 | 8.00 | 57.81 | 12.20 | 10.90 |
| 50 | 2.635 | 2.406 | 2.059 | 0.425 | 2.182 | 0.598 | 0.535 |
| | 66.93 | 61.11 | 52.30 | 10.80 | 55.42 | 15.20 | 13.60 |

172-YYY-242RYY1

SERIES _____
 POSITIONS _____
 009 _____
 015 _____
 025 _____
 037 _____
 050 _____
 GENDER _____
 2 = FEMALE _____
 TERMINATION _____
 4 = WIRE WRAP _____
 SHELL PLATING _____
 2 = TIN _____
 RoHS COMPLIANT _____
 HARDWARE OPTIONS _____
 00 = NO HARDWARE _____
 01 = .065" CLINCH NUT (BOARD SIDE) _____
 02 = .250" CLINCH NUT (BOARD SIDE) _____
 03 = .250" CLINCH NUT (MOUNTING SIDE) _____
 05 = .237" 4-40 BOARD LOCK _____
 91 = .237" 4-40 SPACER/ BOARD LOCK _____
 PLATING OPTIONS _____
 1 = GOLD FLASH _____
 2 = 30MICRO-INCH GOLD _____

DO NOT SCALE FROM DRAWING

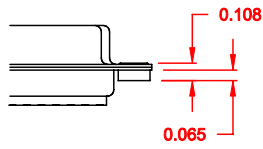
| | | | | |
|----------------|---|--------------------------------|----------------------------|-----------------------|
| | THESE DRAWINGS AND SPECIFICATIONS ARE THE PROPERTY OF NorComp AND SHALL NOT BE REPRODUCED, COPIED OR USED AS THE BASIS FOR THE MANUFACTURE OF SALE OF APPARATUS WITHOUT WRITTEN PERMISSION. | | DRAWN: PAM JENKINS | DATE: 09-12-05 |
| | | | CHECKED: | DATE: |
| NorComp | | SCALE: 1:1 | SHEET 1 OF 2 | REV 7 |
| | | DWG NO. 172-YYY-242RYY1 | | |

DESCRIPTION: CLINCH NUT HARDWARE

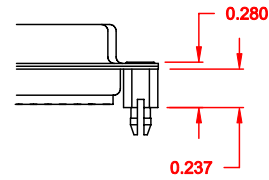
TOLERANCE:
ALL DIMENSIONS ARE ± 0.010

ALL CLINCH-NUTS ARE 4-40 INTERNAL THREADS

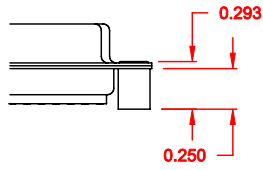
01X 0.065" (BOARD SIDE) - CN1



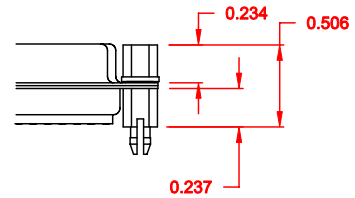
05X 0.237" (BOARD SIDE) - CN10



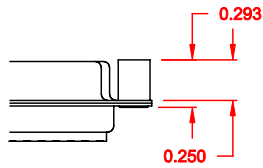
02X 0.250" (BOARD SIDE) - CN2



91X 0.237" (BOARD SIDE) - 0.197" MATING SIDE - CN10/SFSO4404




03X 0.250" (MATING SIDE) - CN8



NOTE: 4-40 FEMALE SCREW LOCK IS REMOVABLE

DO NOT SCALE FROM DRAWING

RoHS COMPLIANT

| | | | | |
|---|---|---------------------------------|--------------------------------|--------------------------|
|  | THESE DRAWINGS AND SPECIFICATIONS ARE THE PROPERTY OF NorComp AND SHALL NOT BE REPRODUCED, COPIED OR USED AS THE BASIS FOR THE MANUFACTURE OF APPARATUS WITHOUT WRITTEN PERMISSION. | | DRAWN: WAYNE ROBBINS | DATE: 11-28-05 |
| | | | CHECKED: | DATE: |
| <h1>NorComp</h1> | | SCALE: | SHEET 2 | OF 2 |
| | | DWG. NO. 172-YYY-242RYY1 | | |