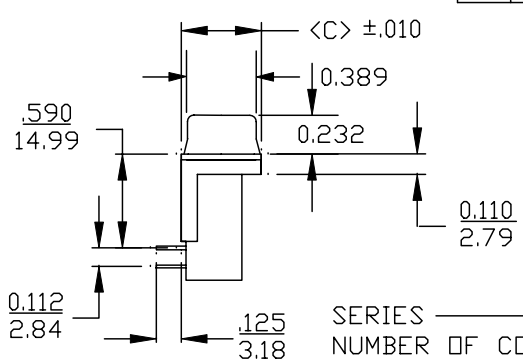
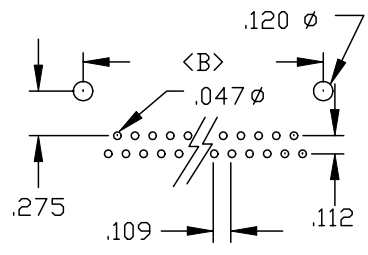
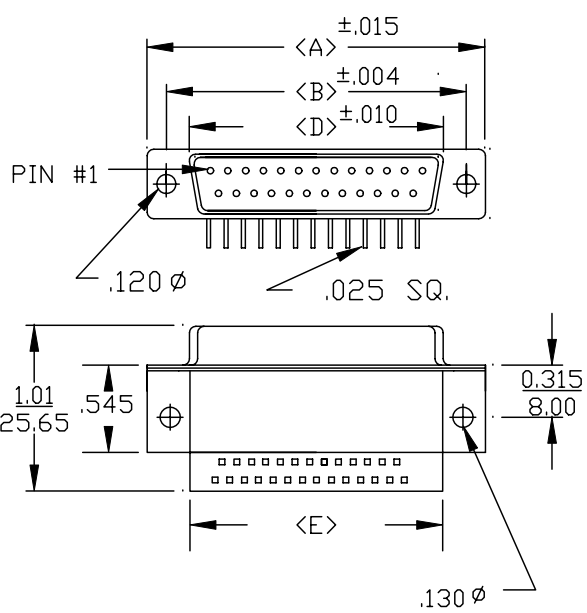


DESCRIPTION: **RIGHT ANGLE .590" MALE PLASTIC D-SUB**



POS.	A	B	C	D	E
09	1.213	0.984	0.496	0.755	0.700
	30.80	24.99	12.60	19.18	17.78
15	1.543	1.312	0.496	1.081	1.402
	39.19	33.32	12.60	27.46	26.47
25	2.087	1.852	0.496	1.635	1.595
	53.00	47.04	12.60	41.53	40.51
37	2.732	2.500	0.496	2.264	2.231
	69.30	63.50	12.60	57.51	56.67

SPECIFICATIONS:

MATERIALS:

INSULATOR: UL 94V-0 RATED BLACK
GLASS FILLED POLYESTER
CONTACTS: PHOSPOR BRONZE - GOLD FLASH (STD)

ELECTRICALS:

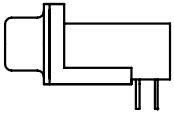
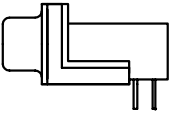
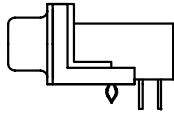
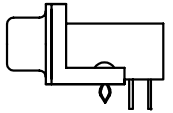
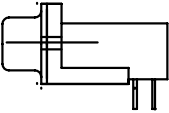
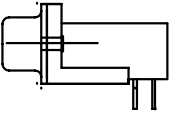
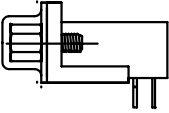
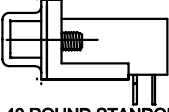
CURRENT RATING: 5 AMPS
DIELECTRIC STRENGTH: 1000V AC RMS
INSULATION RESISTANCE: 1000 meg OHMS
CONTACT RESISTANCE: 10 MILLIOHMS MAX.
TEMPERATURE: -55°C TO +105°C

177-XXX-11X-XX1

SERIES _____
NUMBER OF CONTACTS _____
GENDER: _____
1 = MALE
2 = FEMALE
PC MOUNT _____
SHELL MATERIAL _____
0 = ALL PLASTIC
2 = TIN SHELL
HARDWARE OPTIONS: _____
(SEE PAGE 2)
PLATING: _____
1 = GOLD FLASH
2 = 30 MICRO-INCH GOLD

	THESE DRAWINGS AND SPECIFICATIONS ARE THE PROPERTY OF NorComp AND SHALL NOT BE REPRODUCED, COPIED OR USED AS THE BASIS FOR THE MANUFACTURE OR SALE OF APPARATUS WITHOUT WRITTEN PERMISSION.		DRAWN: PAM JENKINS	DATE: 9-23-98
			CHECKED:	DATE:
NorComp	SCALE:	SHEET 1 OF 2	REV 6	
	DWG NO.		177-XXX-11X-XX1	

DESCRIPTION: 177 SERIES HARDWARE

	 PLASTIC SHELL	 METAL SHELL WITH INSIDE GROUND STRAPS	 METAL SHELL WITH RETAINING CLIP GROUND	 PLASTIC SHELL WITH PLASTIC SNAP LOCK
 .120" DIA. HOLE	06	16	36	S6
 4-40 FLUSH INSERT	07	17	37	S7
 4-40 HEX STANDOFF FEMALE SCREWLOCK	08	18	38	S8
 4-40 ROUND STANDOFF FEMALE SCREWLOCK	09	19	39	S9 with washers



THESE DRAWINGS AND SPECIFICATIONS ARE THE PROPERTY OF NorComp AND SHALL NOT BE REPRODUCED, COPIED OR USED AS THE BASIS FOR THE MANUFACTURE OF SALE OF APPARATUS WITHOUT WRITTEN PERMISSION.

DRAWN: PAM JENKINS		DATE: 11-3-98	
CHECKED:		DATE:	
SCALE:	SHEET 2	OF 2	REV 3
DWG NO. 177 SERIES HARDWARE			

NorComp