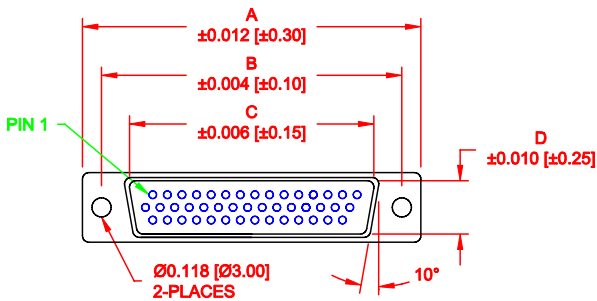
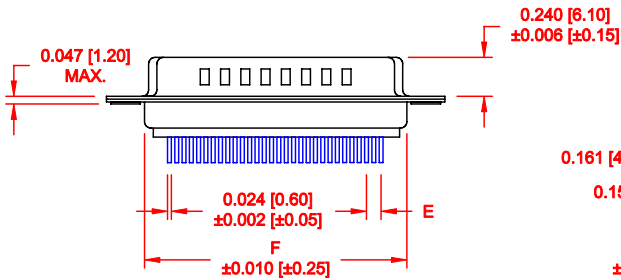


DESCRIPTION: HIGH DENSITY MALE - VERTICAL DIP SOLDER



4 ROWS

No. OF PINS	DIMENSIONS							
	A	B	C	D	E	F	G	H
15	1.213	0.984	0.666	0.329	0.090	0.756	0.496	0.429
	30.80	24.99	16.92	8.36	2.29	19.20	12.60	10.90
26	1.541	1.312	0.970	0.329	0.090	1.091	0.496	0.429
	39.15	33.32	24.65	8.36	2.29	27.70	12.60	10.90
44	2.087	1.852	1.512	0.329	0.090	1.618	0.496	0.429
	53.00	47.04	38.40	8.36	2.29	41.10	12.60	10.90
62	2.728	2.500	2.157	0.329	0.095	2.256	0.496	0.429
	69.30	63.50	54.80	8.36	2.41	57.30	12.60	10.90
78	2.638	2.406	2.079	0.436	0.095	2.169	0.606	0.526
	67.00	61.10	52.80	11.07	2.41	55.10	15.40	13.35



MATERIAL:

SHELL: STEEL, NICKEL PLATED
 INSULATOR: PBT, UL 94V-O RATED, +30% FIBER-GLASS OR NYLON-66
 CONTACT: BRASS, GOLD PLATED OVER NICKEL

ELECTRICAL:

CURRENT RATING: 5 AMPS
 CONTACT RESISTANCE: 15 mOhms Max.
 INSULATION RESISTANCE: 1,000 MOhms min.
 VOLTAGE: 500VAC FOR 1 MINUTE
 TEMPERATURE: -50° C TO 100° C

RoHS COMPLIANT

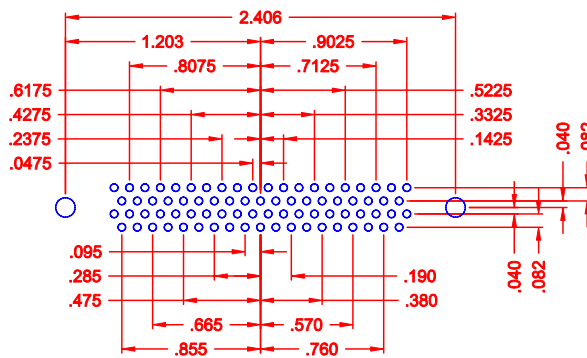
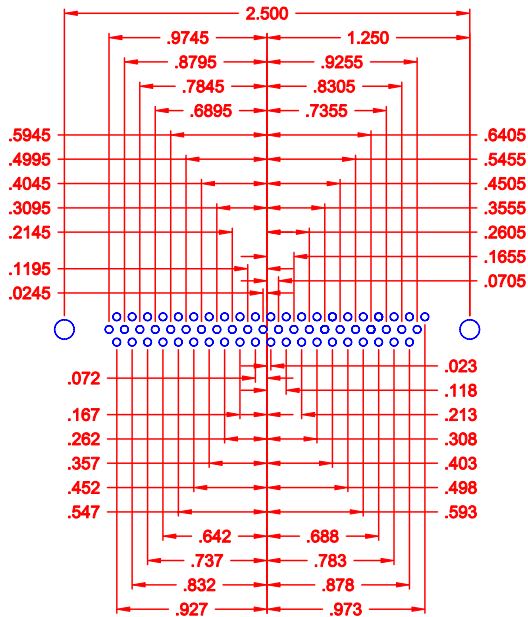
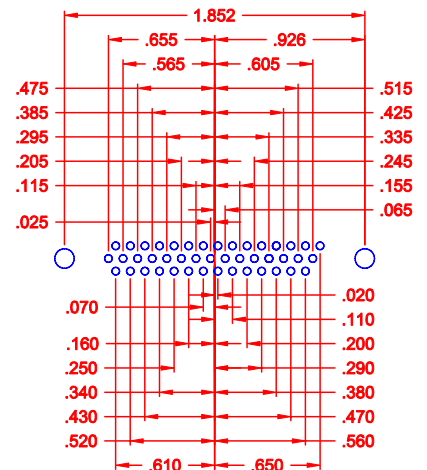
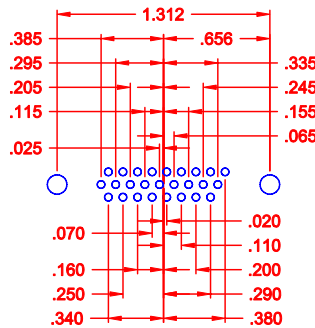
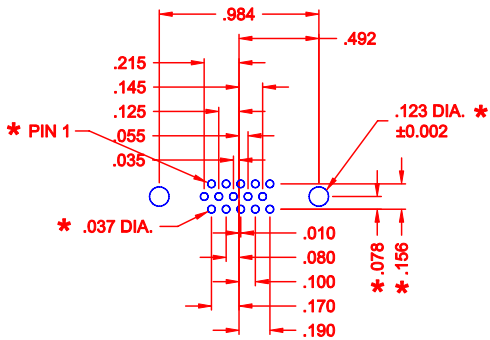
180-YYY-113RYY1

- SERIES
- POSITIONS
- 015
- 026
- 044
- 062
- 078
- GENDER
- 1 = MALE
- TERMINATION
- 1 = VERTICAL DIP SOLDER
- SHELL PLATING
- 3 = NICKEL (GROUND INDENTS)
- RoHS COMPLIANT (260°C)
- HARDWARE OPTIONS
- 00 = NO HARDWARE
- 01 = .098" CLINCH NUT (BOARD SIDE)
- 02 = .236" CLINCH NUT (BOARD SIDE)
- 03 = .236" CLINCH NUT (MATING SIDE)
- 05 = .237 4-40 BOARD LOCK
- 91 = .237 4-40 SPACER/BOARD LOCK
- PLATING OPTIONS
- 1 = GOLD FLASH
- 2 = 30u" GOLD

DO NOT SCALE FROM DRAWING

	THESE DRAWINGS AND SPECIFICATIONS ARE THE PROPERTY OF NorComp AND SHALL NOT BE REPRODUCED, COPIED OR USED AS THE BASIS FOR THE MANUFACTURE OF SALE OF APPARATUS WITHOUT WRITTEN PERMISSION.		DRAWN: PAM JENKINS	DATE: 09-12-05
			CHECKED:	DATE:
<h1>NorComp</h1>		SCALE: 1 : 1	SHEET 1 OF 3	REV 11
		DWG NO. 180-YYY-113RYY1		

DESCRIPTION: PCB LAYOUT - VERTICAL - MALE



180 SERIES
HIGH DENSITY
VERTICAL

HOLE PATTERN SHOWN
ARE FOR MALE

* TYP. ON ALL SIZES

DO NOT SCALE FROM DRAWING



THESE DRAWINGS AND SPECIFICATIONS ARE THE PROPERTY OF NorComp AND SHALL NOT BE REPRODUCED, COPIED OR USED AS THE BASIS FOR THE MANUFACTURE OF SALE OF APPARATUS WITHOUT WRITTEN PERMISSION.

DRAWN: PAM JENKINS		DATE: 09-12-05	
CHECKED:		DATE:	
SCALE:	SHEET 2	OF 3	REV 11
DWG NO.		180-YYY-113RYY1	

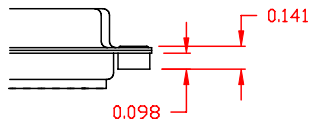
NorComp

DESCRIPTION: CLINCH NUT HARDWARE

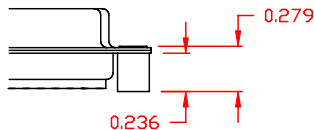
TOLERANCE:
ALL DIMENSIONS ARE ± 0.010

ALL CLINCH-NUTS ARE 4-40 INTERNAL THREADS

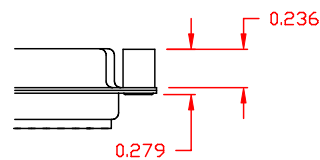
01X 0.098" (BOARD SIDE) - CN1



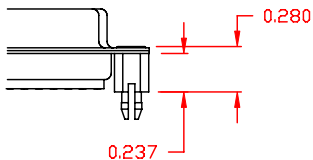
02X 0.236" (BOARD SIDE) - CN2



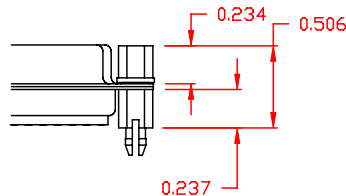
03X 0.236" (MATING SIDE) - CN8



05X 0.237" (BOARD SIDE) - CN10




91X 0.237" BOARD SIDE
0.197 MATING SIDE
CN10/SFSO4404



NOTE: 4-40 FEMALE SCREW LOCK IS REMOVABLE

DO NOT SCALE FROM DRAWING

RoHS COMPLIANT

	THESE DRAWINGS AND SPECIFICATIONS ARE THE PROPERTY OF NorComp AND SHALL NOT BE REPRODUCED, COPIED OR USED AS THE BASIS FOR THE MANUFACTURE OF SALE OF APPARATUS WITHOUT WRITTEN PERMISSION.	DRAWN: WAYNE ROBBINS	DATE: 11-28-05	
	NorComp	CHECKED:	DATE:	
SCALE:		SHEET 3	OF 3	REV 11
DWG NO.		180-YYY-113RYY1		