

REVISIONS			
REV	ECN, ERN NO.	DATE	APPRD.
A	PRODUCT DRAWING (EAR 12956)	OCT03/06	K.L.

ORDERING CODE:

PART NUMBER: 17EHD-026PAM-100
 SERIES: _____
 NUMBER OF CONTACTS: 26
 STYLE: P=PIN, S=SOCKET

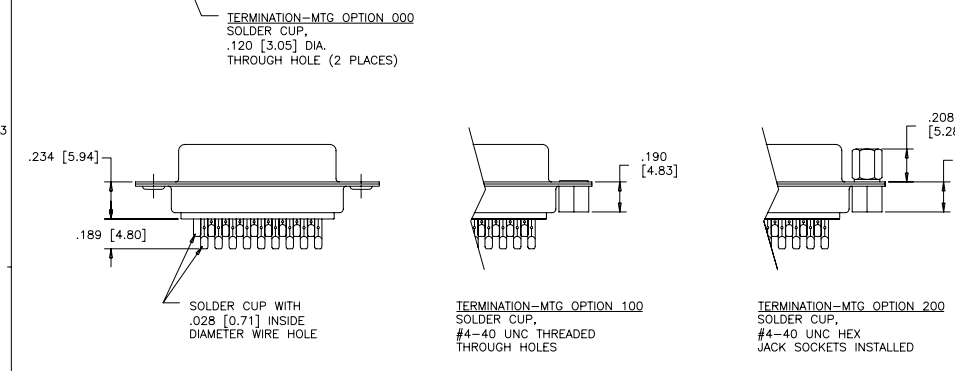
- TERMINATION-MOUNTING OPTIONS**
 000= SOLDER CUP, .120 [3.05] DIA. THROUGH HOLE
 100= SOLDER CUP, #4-40 UNC THREADED HOLES
 200= SOLDER CUP, #4-40 UNC HEX JACK SOCKETS INSTALLED
- CONTACT PLATING OPTIONS FOR ENGAGEMENT AREA**
 AA= 3µ" [0.08 MICRONS] GOLD FLASH
 CH= 15µ" [0.38 MICRONS] GOLD
 AM= 30µ" [0.76 MICRONS] GOLD

SPECIFICATIONS:

- MATERIALS:** ALL MATERIALS ARE RoHS COMPLIANT
- SHELL:** STEEL, TIN PLATED
- INSERTS:** HIGH TEMPERATURE RESISTANT NYLON, GLASS REINFORCED, UL FLAMMABILITY RATING 94V-0, COLOUR: BLACK
- CONTACTS:** COPPER ALLOY, GOLD PLATING (SEE ORDERING CODE) OVER 50µ" [1.27 MICRONS] NICKEL ON ENGAGEMENT AREA WITH 100µ" [2.54 MICRONS] MIN. MATTE TIN ON CONTACT TERMINALS.

ELECTRICAL DATA:

- CURRENT RATING: 3 AMP
- CONTACT RESISTANCE: 15 MILLIOHMS MAX.
- INSULATION RESISTANCE: 3000 MEGOHMS MIN.
- DIELECTRIC WITHSTANDING VOLTAGE: 1000 VAC rms
- OPERATING TEMPERATURE: -55°C TO +105°C



DRAWN: J.LEE	DATE: OCT03/06	Amphenol Canada Corp.			
DESIGNED:					
CHECKED: K.LAMBIE	DATE: OCT03/06	TITLE: 17EHD SERIES HIGH DENSITY D-SUB CONNECTOR, 26 SIZE, SOLDER CUP, PLATING & MOUNTING OPTIONS, RoHS COMPLIANT			
I. E. APPRD.					
Q. A. APPRD.		DWG. DRAWING NO. C P-17EHD-026XXX-X00			
DWG. APPRD.					
ENG. REL. NO.		SCALE: 2/1	WT.:	SURF.:	REV. A
REF. EAR 12956					
DIMENSIONS ARE IN INCHES		CODE ID. NO. 03554			SHEET 1 OF 1

THIS DOCUMENT CONTAINS PROPRIETARY INFORMATION AND SUCH INFORMATION MAY NOT BE DISCLOSED TO OTHERS FOR ANY PURPOSE OR USED FOR MANUFACTURING PURPOSES WITHOUT WRITTEN PERMISSION FROM AMPHENOL CANADA CORP.