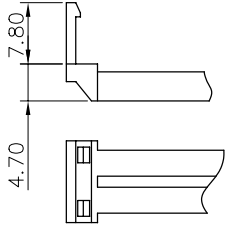
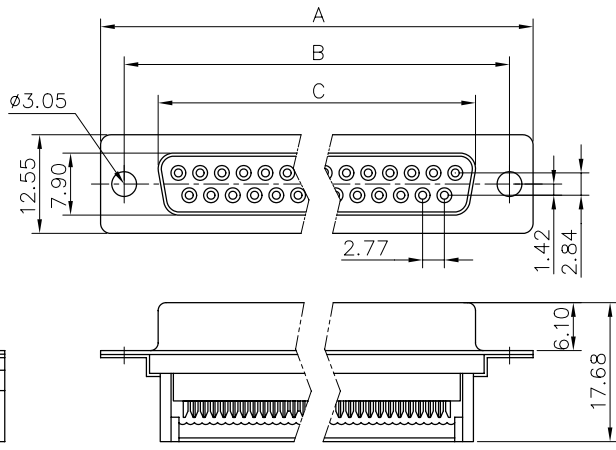


This document is the property of Amphenol Corporation and is delivered on the express condition that it is not to be disclosed, reproduced or used, in whole or in part, for manufacture or sale, by anyone other than Amphenol Corporation without the prior consent. If that no right is granted to disclose or to use any information in this document.



Strain Relief

Customer drawing



Nb OF CONTACTS	A	B	C
09	30.84	24.99	16.24
15	39.24	33.32	24.56
25	53.04	47.04	38.38
37	69.32	63.50	54.76

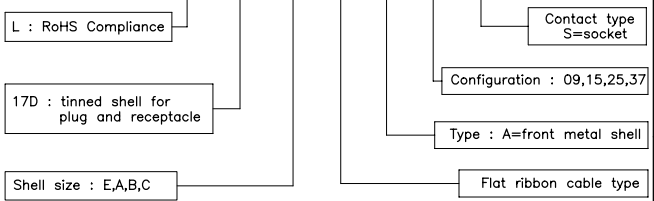
REVISIONS				
SYM	ECN	DESCRIPTION	DATE	APPROVED
1			04/17/08	

D-SUB TECHNICAL DATA

SHELL : Steel,100u"min tin over 50u"min nickel
 BODY : Glass filled thermoplastic.
 Flame retardant to UL94 V-0 color black
 CONTACTS : Phosphor bronze, gold flash over 1.25um (50u") min nickel
 ELECTRICAL : Voltage rating : 250 V RMS at 60 Hz,
 Current rating 5A
 Insulation resistance >1000 M Ohms
 Contact resistance 20 mOhms max.
 CLIMATIC : Temperature range -55°C up to 125°C
 Damp heat 56 days(40 °C-95% HR)
 MARKING : Amphenol...(Series No.)
 Commercial reference
 Manufacturing date

PRODUCT CODE

L 17D X FR A XX S



UNLESS OTHERWISE SPECIFIED	APPROVAL	DATE
TOLERANCES	DRAWN	04/17/08
U.S.	CHECKED	04/17/08
METRIC	CHECKED	
.X +/- / 0.4		
.XX +/- / 0.30		
.XXX +/- / 0.20		
FRACTIONS +/- / Z		
ANGLES +/- / Z		
FOR MATERIALS AND FINISHES SEE NOTES	DRAWING FILE :	
REMOVE SHARP EDGES	ANGLE OF PROJECTION	
DIMENSIONS		
U.S.		
INCHES		
METRIC		
MM		

Amphenol®		
TITLE		
IDC Flat Cable D-Sub Series		
SIZE	DRAWING NO.	REV.
A4	C L17DXFRAXXS	1
SCALE	NONE	SHEET 1 OF 1