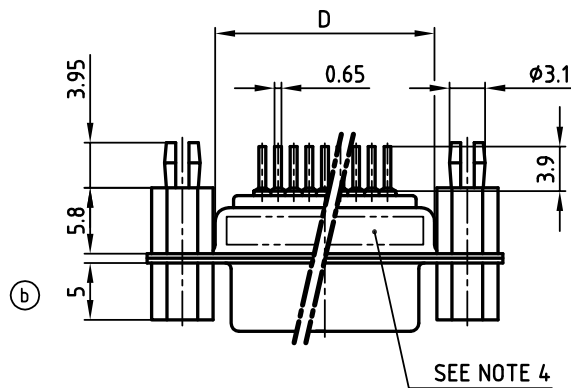
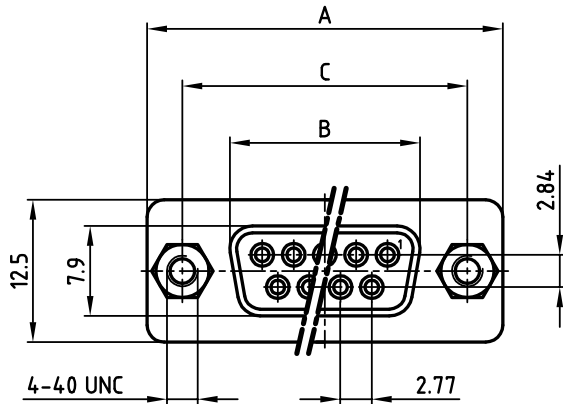
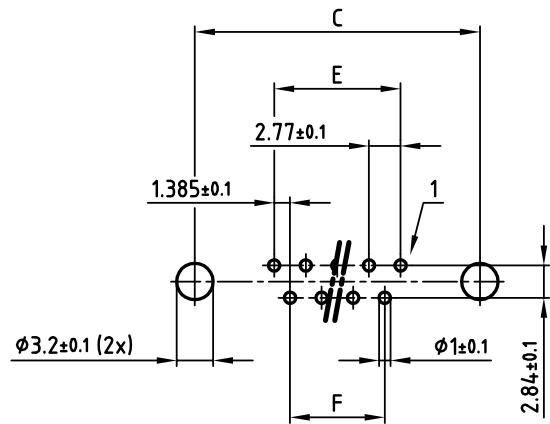


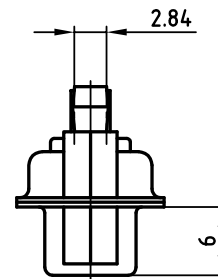
POS.	A	B	C	D	E	F	Part NO.
9	30.80	16.30	25.00	19.20	11.08	8.31	DLS1XS4AA39X
15	39.20	24.60	33.30	27.70	19.39	16.62	DLS2XS4AA39X
25	53.10	38.30	47.10	41.10	33.24	30.47	DLS3XS4AA39X
37	69.40	54.80	63.50	57.30	49.86	47.09	DLS4XS4AA39X



used for: D-SUB



P.C.B. HOLE DRILLINGS



Directive 2002/95/EC  
"RoHS"  
Compliant

**NOTES:**

- METALSHELLS: STEEL; min. 320µ" TIN
- INSULATORS: PBT GF UL 94 V-0, BLACK
- CONTACTS: COPPER ALLOY  
PLATING: 8µ" HARD GOLD OVER min. 50µ" NICKEL
- CONNECTOR IS PART MARKED: PART-NO. CONEC ABC

THIS DRAWING MAY NOT BE COPIED OR REPRODUCED IN ANY WAY, AND MAY NOT BE PASSED ON TO A THIRD PARTY WITHOUT WRITTEN PERMISSION. OWNERSHIP AND COPYRIGHT OF CONEC GmbH DO NOT ALTER CAD DRAWING BY HAND

tolerance				scale:	2:1
				material:	SEE NOTES
		2006	date	name	
		drawn	24.01.	Lehmenkühler	
		appd.	24.01.	Mickenbecker	
		norm	DIN 41652		
		d-old			
1 x b	Ä 2698	30.03.2007	ES		
rev.	description	date	name		

title:		<b>D-SUB FEMALE</b>	
9-37pos. PCB STRAIGHT STAMPED CONTACTS			
rear:5.8mm snap-in/front:5.8mm open hex rivet			
dwg no:	AutoCAD 2004	DIN-A	
	<b>16K1A1706</b>	4	
		sh:1/1	
product no:	<b>SEE TABLE</b>		