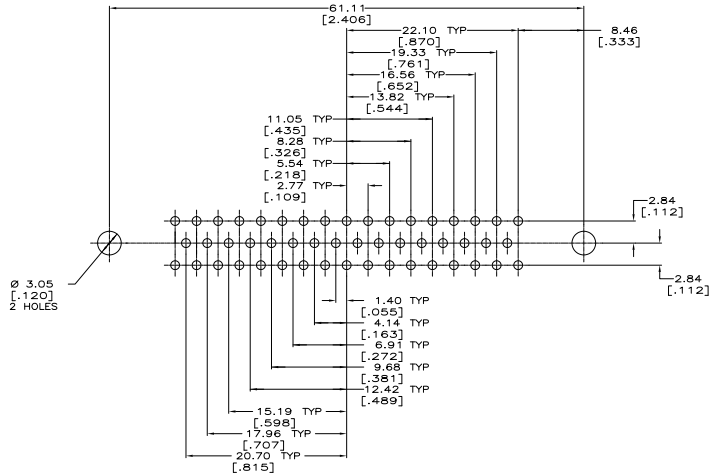
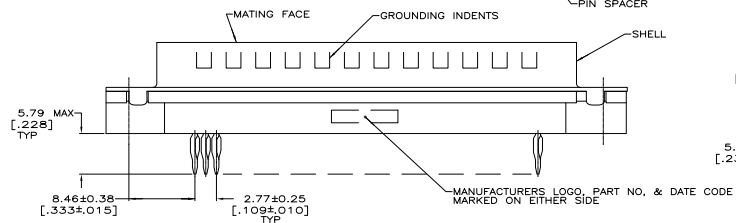
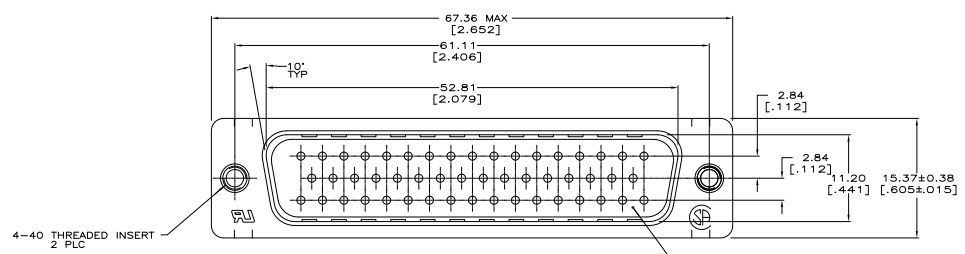


REV	DATE	DESCRIPTION	BY	CHK	APP
GP 00					
B		REVISED FOR ECO-10-019804			

- △ SHELL: 5.08mm[.000200] MIN TIN OVER 2.54mm[.000100] MIN COPPER.
- △ MODLED PARTS: UL 94V-0 RATED, POLYESTER, BLACK.
- △ P.C. BOARD RECOMMENDATIONS:
 - A. HOLES SHOULD BE DRILLED WITH A 1.15 MM DRILL
 - B. MINIMUM P.C.B. TIN PLATING TO BE .003300 THICK OVER .002±.001 THICK COPPER.
 - C. RECOMMENDED HOLE SIZE AFTER TIN PLATING IS ϕ .037 TO .043.
 - D. IF HOLE IS REFLOWED AFTER PLATING, DIA TO BE .036 TO .043.
- △ CONTACTS:
 - 0.76 MICRO METERS [.000030] MINIMUM GOLD IN MATING AREA.
 - 2.54 MICRO METERS [.000100] MINIMUM TIN ON COMPLIANT PIN.
 - ALL OVER 1.27 MICRO METERS [.000050] MINIMUM NICKEL.
 - OR
 - GOLD FLASH OVER PALLADIUM NICKEL.
 - 0.76 MICRO METERS [.000030] MINIMUM TOTAL IN MATING AREA.
 - 2.54 MICRO METERS [.000100] MINIMUM TIN ON COMPLIANT PIN.
 - ALL OVER 1.27 MICRO METERS [.000050] MINIMUM NICKEL.
- △ CONTACTS: BRASS
- △ SHELL: CARBON STEEL
- △ INSERTS: BRASS



RECOMMENDED PC BOARD MOUNTING DIMENSIONS △

**COPYRIGHT 2005
 TYCO ELECTRONICS CORP
 ALL RIGHTS RESERVED**

THIS DRAWING IS A CONTROLLED DOCUMENT.		REV ALCOSETA 02-28-03	DATE 02-28-03	BY W. WILMSLEY	DATE 04-28-03	BY
DIMENSIONS		REV BOLASH	DATE 04-28-03	BY	DATE	BY
NOTES		REV	DATE	BY	DATE	BY
1. SEE 114-40014		REV	DATE	BY	DATE	BY
2. SEE 114-40026		REV	DATE	BY	DATE	BY
3. SEE 114-40026		REV	DATE	BY	DATE	BY
4. SEE 114-40026		REV	DATE	BY	DATE	BY
5. SEE 114-40026		REV	DATE	BY	DATE	BY
6. SEE 114-40026		REV	DATE	BY	DATE	BY
7. SEE 114-40026		REV	DATE	BY	DATE	BY
8. SEE 114-40026		REV	DATE	BY	DATE	BY
9. SEE 114-40026		REV	DATE	BY	DATE	BY
10. SEE 114-40026		REV	DATE	BY	DATE	BY
11. SEE 114-40026		REV	DATE	BY	DATE	BY
12. SEE 114-40026		REV	DATE	BY	DATE	BY
13. SEE 114-40026		REV	DATE	BY	DATE	BY
14. SEE 114-40026		REV	DATE	BY	DATE	BY
15. SEE 114-40026		REV	DATE	BY	DATE	BY
16. SEE 114-40026		REV	DATE	BY	DATE	BY
17. SEE 114-40026		REV	DATE	BY	DATE	BY
18. SEE 114-40026		REV	DATE	BY	DATE	BY
19. SEE 114-40026		REV	DATE	BY	DATE	BY
20. SEE 114-40026		REV	DATE	BY	DATE	BY
21. SEE 114-40026		REV	DATE	BY	DATE	BY
22. SEE 114-40026		REV	DATE	BY	DATE	BY
23. SEE 114-40026		REV	DATE	BY	DATE	BY
24. SEE 114-40026		REV	DATE	BY	DATE	BY
25. SEE 114-40026		REV	DATE	BY	DATE	BY
26. SEE 114-40026		REV	DATE	BY	DATE	BY
27. SEE 114-40026		REV	DATE	BY	DATE	BY
28. SEE 114-40026		REV	DATE	BY	DATE	BY
29. SEE 114-40026		REV	DATE	BY	DATE	BY
30. SEE 114-40026		REV	DATE	BY	DATE	BY
31. SEE 114-40026		REV	DATE	BY	DATE	BY
32. SEE 114-40026		REV	DATE	BY	DATE	BY
33. SEE 114-40026		REV	DATE	BY	DATE	BY
34. SEE 114-40026		REV	DATE	BY	DATE	BY
35. SEE 114-40026		REV	DATE	BY	DATE	BY
36. SEE 114-40026		REV	DATE	BY	DATE	BY
37. SEE 114-40026		REV	DATE	BY	DATE	BY
38. SEE 114-40026		REV	DATE	BY	DATE	BY
39. SEE 114-40026		REV	DATE	BY	DATE	BY
40. SEE 114-40026		REV	DATE	BY	DATE	BY
41. SEE 114-40026		REV	DATE	BY	DATE	BY
42. SEE 114-40026		REV	DATE	BY	DATE	BY
43. SEE 114-40026		REV	DATE	BY	DATE	BY
44. SEE 114-40026		REV	DATE	BY	DATE	BY
45. SEE 114-40026		REV	DATE	BY	DATE	BY
46. SEE 114-40026		REV	DATE	BY	DATE	BY
47. SEE 114-40026		REV	DATE	BY	DATE	BY
48. SEE 114-40026		REV	DATE	BY	DATE	BY
49. SEE 114-40026		REV	DATE	BY	DATE	BY
50. SEE 114-40026		REV	DATE	BY	DATE	BY
51. SEE 114-40026		REV	DATE	BY	DATE	BY
52. SEE 114-40026		REV	DATE	BY	DATE	BY
53. SEE 114-40026		REV	DATE	BY	DATE	BY
54. SEE 114-40026		REV	DATE	BY	DATE	BY
55. SEE 114-40026		REV	DATE	BY	DATE	BY
56. SEE 114-40026		REV	DATE	BY	DATE	BY
57. SEE 114-40026		REV	DATE	BY	DATE	BY
58. SEE 114-40026		REV	DATE	BY	DATE	BY
59. SEE 114-40026		REV	DATE	BY	DATE	BY
60. SEE 114-40026		REV	DATE	BY	DATE	BY
61. SEE 114-40026		REV	DATE	BY	DATE	BY
62. SEE 114-40026		REV	DATE	BY	DATE	BY
63. SEE 114-40026		REV	DATE	BY	DATE	BY
64. SEE 114-40026		REV	DATE	BY	DATE	BY
65. SEE 114-40026		REV	DATE	BY	DATE	BY
66. SEE 114-40026		REV	DATE	BY	DATE	BY
67. SEE 114-40026		REV	DATE	BY	DATE	BY
68. SEE 114-40026		REV	DATE	BY	DATE	BY
69. SEE 114-40026		REV	DATE	BY	DATE	BY
70. SEE 114-40026		REV	DATE	BY	DATE	BY
71. SEE 114-40026		REV	DATE	BY	DATE	BY
72. SEE 114-40026		REV	DATE	BY	DATE	BY
73. SEE 114-40026		REV	DATE	BY	DATE	BY
74. SEE 114-40026		REV	DATE	BY	DATE	BY
75. SEE 114-40026		REV	DATE	BY	DATE	BY
76. SEE 114-40026		REV	DATE	BY	DATE	BY
77. SEE 114-40026		REV	DATE	BY	DATE	BY
78. SEE 114-40026		REV	DATE	BY	DATE	BY
79. SEE 114-40026		REV	DATE	BY	DATE	BY
80. SEE 114-40026		REV	DATE	BY	DATE	BY
81. SEE 114-40026		REV	DATE	BY	DATE	BY
82. SEE 114-40026		REV	DATE	BY	DATE	BY
83. SEE 114-40026		REV	DATE	BY	DATE	BY
84. SEE 114-40026		REV	DATE	BY	DATE	BY
85. SEE 114-40026		REV	DATE	BY	DATE	BY
86. SEE 114-40026		REV	DATE	BY	DATE	BY
87. SEE 114-40026		REV	DATE	BY	DATE	BY
88. SEE 114-40026		REV	DATE	BY	DATE	BY
89. SEE 114-40026		REV	DATE	BY	DATE	BY
90. SEE 114-40026		REV	DATE	BY	DATE	BY
91. SEE 114-40026		REV	DATE	BY	DATE	BY
92. SEE 114-40026		REV	DATE	BY	DATE	BY
93. SEE 114-40026		REV	DATE	BY	DATE	BY
94. SEE 114-40026		REV	DATE	BY	DATE	BY
95. SEE 114-40026		REV	DATE	BY	DATE	BY
96. SEE 114-40026		REV	DATE	BY	DATE	BY
97. SEE 114-40026		REV	DATE	BY	DATE	BY
98. SEE 114-40026		REV	DATE	BY	DATE	BY
99. SEE 114-40026		REV	DATE	BY	DATE	BY
100. SEE 114-40026		REV	DATE	BY	DATE	BY

5749892-1
 PART NO