

4

3

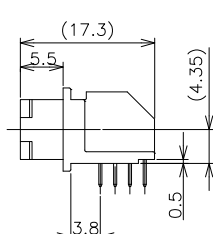
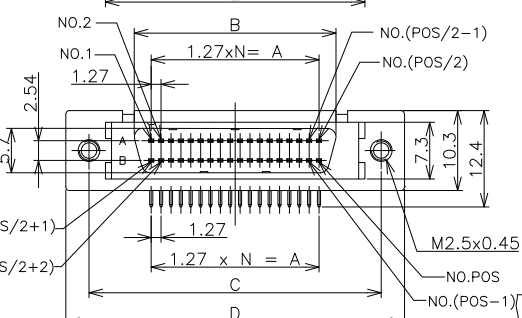
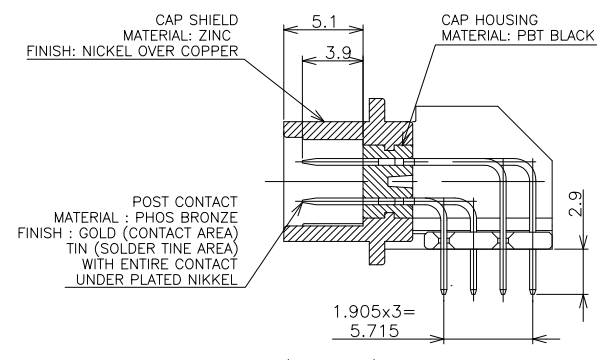
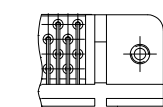
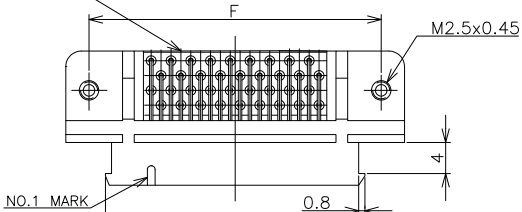
2

1

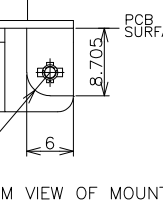
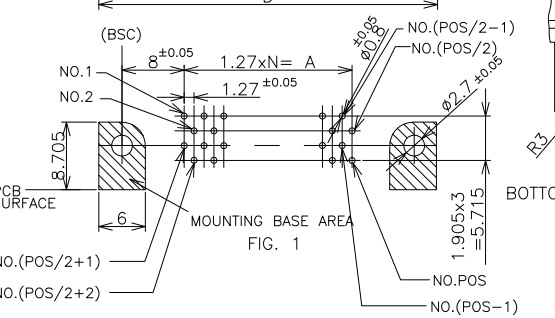
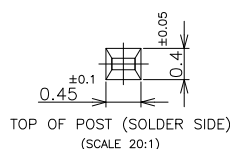
THIS DRAWING IS UNPUBLISHED. RELEASED FOR PUBLICATION FEB. 2003.
 © COPYRIGHT 2003 By - ALL RIGHTS RESERVED.

LOC	DIST	REVISIONS			
P	LTR	DESCRIPTION	DATE	DWN	APVD
J	00				
	C1	REVISED PER ECO-11-005033	24MAR11	RK	HMR

TINE PLATE MATERIAL : PBT (BLACK)



LEAD FREE



POS	N	A	B	C	D	E	F	GOLD THK	PART NUMBER
96	47	59.69	64.06	75.7	81.7	71.49	75.7	0.00076 MIN	2-5174225-6
68	33	41.91	46.28	57.9	63.9	53.71	57.9	0.00076 MIN	2-5174225-5
36	17	21.59	25.96	37.6	43.6	33.39	37.6	0.00076 MIN	2-5174225-4
96	47	59.69	64.06	75.7	81.7	71.49	75.7	0.0002 MIN	5174225-6
68	33	41.91	46.28	57.9	63.9	53.71	57.9	0.0002 MIN	5174225-5
50	24	30.48	34.85	46.5	52.5	42.28	46.5	0.0002 MIN	5174225-4
36	17	21.59	25.96	37.6	43.6	33.39	37.6	0.0002 MIN	5174225-3
28	13	16.51	20.88	32.5	38.5	28.31	32.5	0.0002 MIN	5174225-2
20	9	11.43	15.8	27.4	33.4	23.23	27.4	0.0002 MIN	5174225-1

- 1 P.C BOARD HOLE LAY-OUT AS SHOWN FIG. 1
- 2 USE SCREW SIZE ; M2.5 PAN-HEAD SCREW
- 3 OBSOLETE PARTS: OBSOLETE CIS STREAMLINING PER D.RENAUD/D.SINISI

THIS DRAWING IS A CONTROLLED DOCUMENT.

DIMENSIONS: mm

TOLERANCES UNLESS OTHERWISE SPECIFIED:

0 PLC	± 0.3
1 PLC	± 0.3
2 PLC	± 0.3
3 PLC	± 0.3
4 PLC	± 0.3
ANGLES	± 3°

MATERIAL FINISH

DWN Roy Hgo 17Aug04
 CHK Steven Yao 17Aug04
 APVD J.Enomoto 17Aug04

NAME: POST HEADER (HORIZONTAL M2.5) AMPLIMITE .050 SERIES 2 TYPE B

APPLICATION SPEC: 108-60037-1

SIZE: A3 CAGE CODE: 00779 DRAWING NO: C-5174225

WEIGHT: CUSTOMER DRAWING SCALE: 2:1 SHEET: 1 of 1 REV: C1

RESTRICTED TO