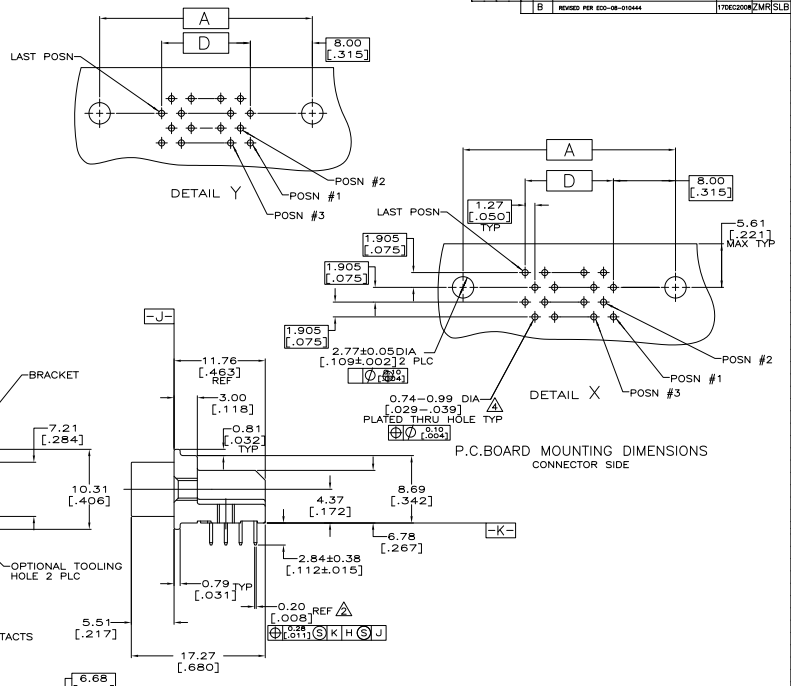
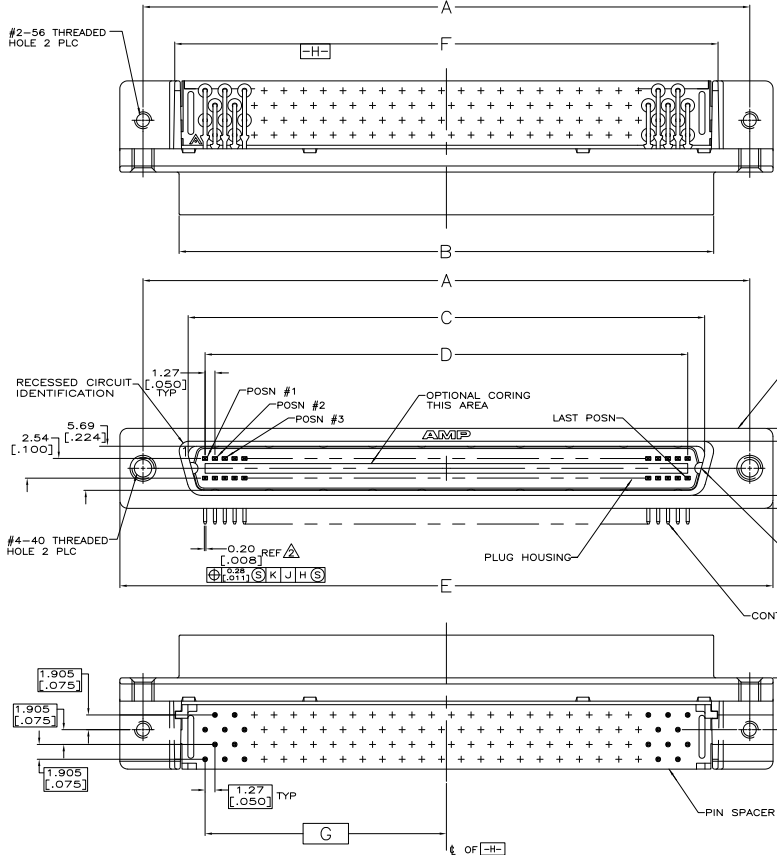


THIS DRAWING IS UNAPPROVED FOR PUBLICATION
 © 2005 TYCO ELECTRONICS CORPORATION ALL RIGHTS RESERVED

REV	DATE	DESCRIPTION	BY	CHK	APP
GP 00					
B		REVISED PER ECO-08-01044			



100 POSITION AS SHOWN

- △ CONTACTS: PHOSPHOR BRONZE
RECEPTACLE HOUSING & PIN SPACER: UL V-0 RATED POLYESTER LCP, BLACK
BRACKET: ZINC
- △ POSITION TOLERANCE APPLIES AT TIP ONLY.
- △ CONTACTS: EITHER 0.00076 [.000030] MIN GOLD PLATE FOR A LENGTH OF 3.35 [.132] MIN ON MATING END OR GOLD FLASH OVER PALLADIUM NICKEL PLATE, 0.00076 [.000030] MIN TOTAL FOR A LENGTH OF 3.35 [.132] MIN ON MATING END, 0.00381 [.000150] MIN TIN FOR A LENGTH OF 3.35 [.127] MIN ON OPPOSITE END, ALL OVER 0.00127 [.000050] MIN NICKEL UNDERPLATE ON ENTIRE CONTACT.
- BRACKET: 0.00254 [.000100] MIN NICKEL OVER 0.00508 [.000200] MIN COPPER.
- △ ACTUAL HOLE SIZE USED WILL DEPEND ON TRACE ROUTING REQUIREMENTS BETWEEN HOLES AND CONNECTOR PLACEMENT TECHNIQUE.

X	31.11	70.36	84.20	62.23	66.60	68.94	78.23	100	5749084-9
	[1.225]	[2.770]	[3.315]	[2.450]	[2.622]	[2.714]	[3.080]		
Y	15.24	38.61	52.45	30.48	34.85	37.19	46.48	50	5749084-5
	[.600]	[1.520]	[2.065]	[1.200]	[1.372]	[1.464]	[1.830]		
PIN PATTERN	G	F	E	D	C	B	A	NO. OF POSN.	PART NUMBER

**COPYRIGHT 2005
 TYCO ELECTRONICS CORP
 ALL RIGHTS RESERVED**

THIS DRAWING IS A CONTROLLED DOCUMENT. IN FERNANDEZ 02/05/05
 BY BOLASH 05/10/05
 BY BALMISLEY 05/10/05

TYCO Tyco Electronics Corporation
 Harrisburg, PA 17105-3608

PLUG ASSEMBLY, SHIELDED, RIGHT ANGLE,
 AMPLIMITE ®.050 Series

TITLE SIZE DATE DRAWING NO. PART NUMBER
 A1 00779 G=5749084

CUSTOMER DRAWING