

4

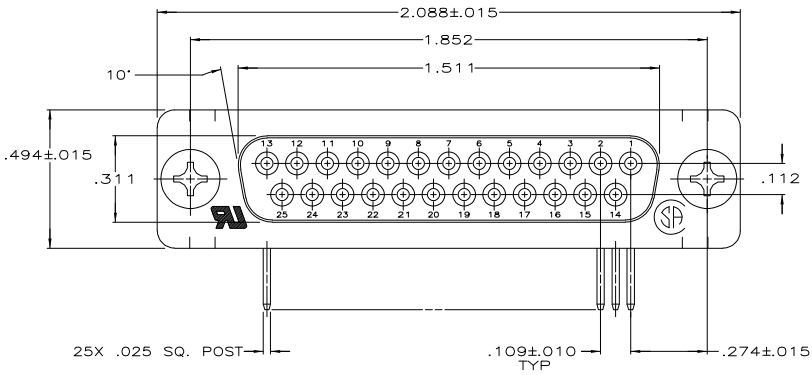
3

2

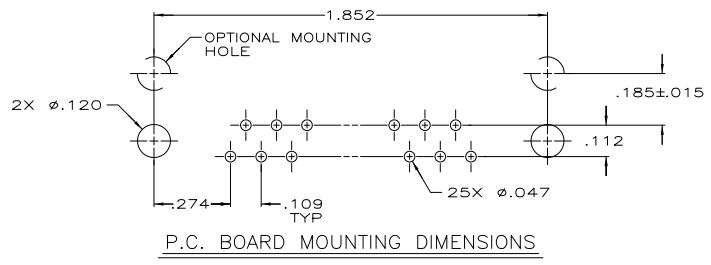
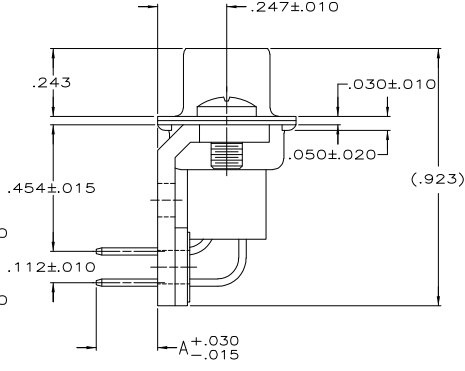
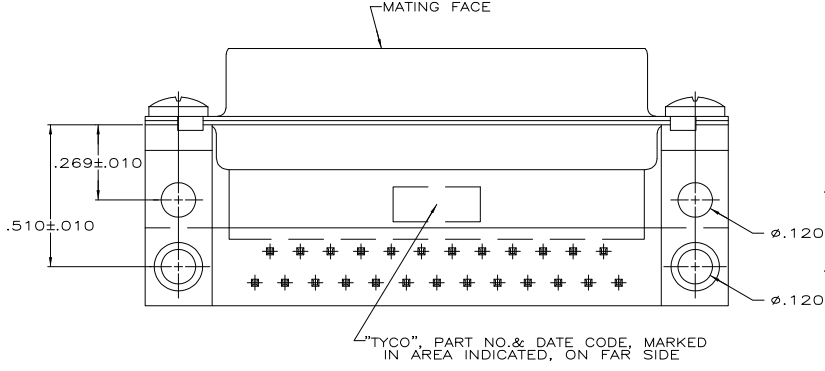
1

THIS DRAWING IS UNPUBLISHED. RELEASED FOR PUBLICATION. BY TYCO ELECTRONICS CORPORATION. ALL RIGHTS RESERVED.

LOC	DIST	REVISIONS		DATE	MIN	APD
GP	00	P	LTR	DESCRIPTION		
		A		REVISED PER ECO-06-028330	3/JAN/07	ZMR/EDB



- 1 MOLDING PARTS: GLASS FILLED NYLON, UL94V-0 RATED, COLOR BLACK.
SHELLS & BRACKETS: CARBON STEEL.
CONTACTS: PHOSPHOR BRONZE.
- 2 SHELLS: .000200 MIN TIN OVER .000100 MIN COPPER.
BRACKETS: .000200 MIN TIN OVER .000050 MIN COPPER.
CONTACTS: SEE TABLE
- 3 GOLD FLASH FOR A LENGTH OF .100 MINIMUM FROM MATING END, .000100 MINIMUM TIN ON OPPOSITE END, BOTH OVER .000050 MINIMUM NICKEL.
- 4 .000030 MIN GOLD FOR A LENGTH OF .100 MIN FROM MATING END, .000100 MIN TIN ON OPPOSITE END, BOTH OVER .000050 MIN NICKEL.
-OR-
GOLD FLASH OVER .000030 MIN PALLADIUM NICKEL PLATED FOR A LENGTH OF .100 MIN FROM MATING END, .000100 MIN TIN ON OPPOSITE END, BOTH OVER .000050 MIN NICKEL.



.125	△	5745440-4
.220	△	5745440-1
A	CONTACT FINISH	PART NUMBER

THIS DRAWING IS A CONTROLLED DOCUMENT.

DR. D. HENRY	8-31-05	Tyco Electronics Corporation Harrisburg, PA 17105-3608
OK. S. BOLASH	8-31-05	
APP. M. WALMSLEY	8-31-05	NAME
PRODUCT SPEC. 108-40025		RECEPTACLE ASSEMBLY, SIZE 3, 25 POSITION, RIGHT ANGLE, .454 SERIES, .025 SQ. POSTS, AMPLIMITE HDP
APPLICATION SPEC. 114-40013		SIZE
HEIGHT -		SIZE CASE CODE DRAWING KEY
MATERIAL △	FINISH △	A2 00779 C=5745440
CUSTOMER DRAWING		RESTRICTED TO -
		SCALE 4:1 SHEET 1 of 1 REV A

AMP 1471-9 REV 31MM2000

5745440

A