

4

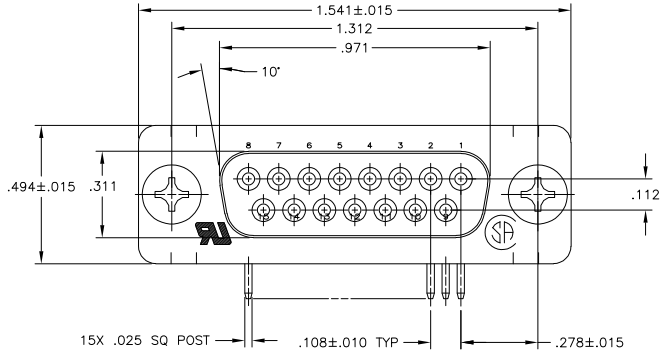
3

2

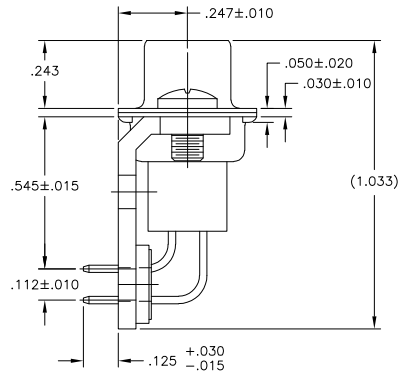
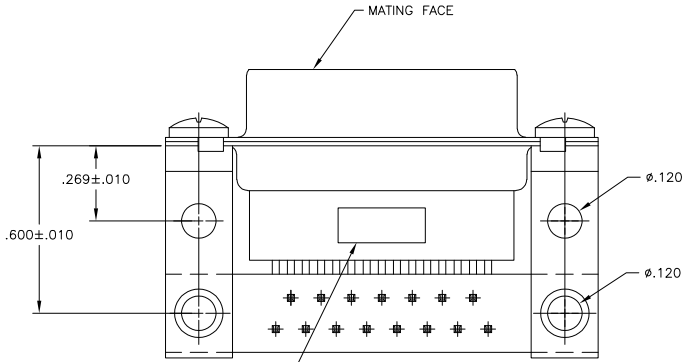
1

THIS DRAWING IS UNPUBLISHED. RELEASED FOR PUBLICATION  
© COPYRIGHT 2005 BY TYCO ELECTRONICS CORPORATION. ALL RIGHTS RESERVED.

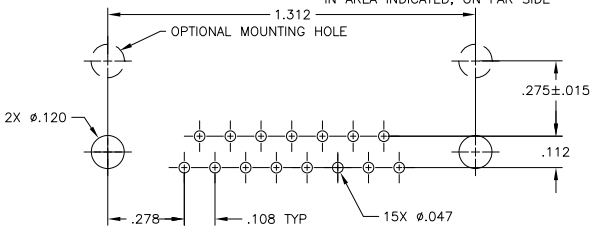
LOC		DIST		REVISIONS			
P	LR	DATE	MIN	APD			
0		RELEASED PER EC 0513-0057-05	170CT05	GP	JG		



- 1 MOLDED PARTS: GLASS FILLED NYLON, UL94V-0 RATED, COLOR BLACK.  
SHELLS & BRACKETS: CARBON STEEL  
CONTACTS: PHOS BRONZE
- 2 SHELLS & BRACKETS: ZINC PLATED YELLOW CHROMATE COATING.  
CONTACTS: GOLD FLASH FOR A LENGTH OF .100 MINIMUM FROM MATING END, .000100 MINIMUM TIN ON OPPOSITE END, BOTH OVER .000050 MINIMUM NICKEL.



TYCO, PART NO. & DATE CODE, MARKED IN AREA INDICATED, ON FAR SIDE



P.C. BOARD MOUNTING DIMENSIONS

5205868-1  
PART NUMBER

THIS DRAWING IS A CONTROLLED DOCUMENT.		DR: C. PETERS 170CT05	Tyco Electronics Corporation Harrisburg, PA 17105-3608
DIMENSIONS: INCHES		CHK: S. BOLASH 170CT05	
TOLERANCES UNLESS OTHERWISE SPECIFIED:		APP: M. WALMSLEY 170CT05	NAME
Ø PLC ± .005		PRODUCT SPEC: 108-40025	RECEPTACLE ASSEMBLY, SIZE 2, 15 POS., RIGHT ANGLE, .545 SERIES, .025 SQ. POST, AMPLIMITE HDP
PLC ± .005		APPLICATION SPEC: 114-40013	SIZE CASE CODE (DRAWING NO)
PLC ± .005		HEIGHT: -	A2 00779 C-5205868
ANGLES ± .5°		MATERIAL: 1	RESTRICTED TO: -
FINISH: 2		CUSTOMER DRAWING	SCALE: 4:1 SHEET: 1 of 1 REV: 0