

4

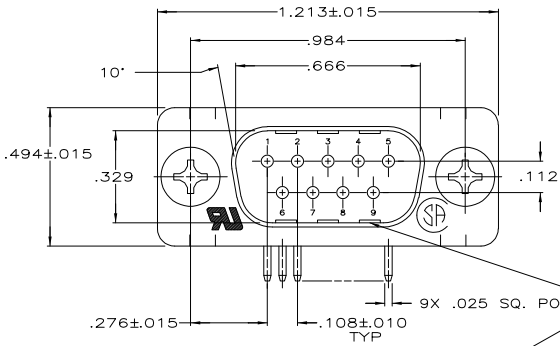
3

2

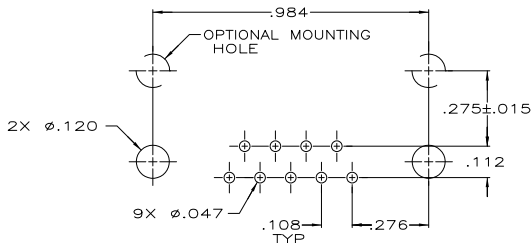
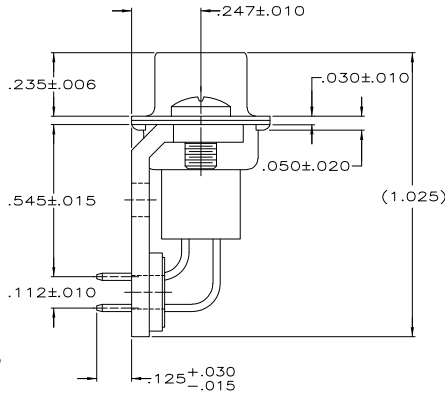
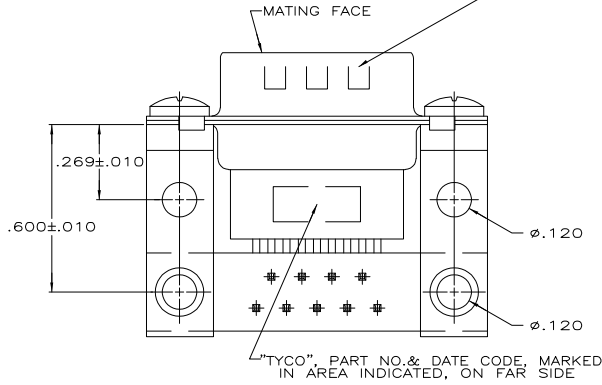
1

THIS DRAWING IS UNPUBLISHED. RELEASED FOR PUBLICATION  
 © COPYRIGHT 2005 BY TYCO ELECTRONICS CORPORATION. ALL RIGHTS RESERVED.

LOC	DIST	REVISIONS					
GP	00	P	LTR	DESCRIPTION	DATE	MIN	APD
		A		REVISED PER ECO-06-028330	3/JAN/07	ZMR	EDB



- ⚠ MOLDED PARTS: GLASS FILLED NYLON, UL94V-0 RATED, COLOR BLACK.
- SHELLS & BRACKETS: CARBON STEEL.
- CONTACTS: BRASS
- ⚠ SHELLS: .000200 MIN TIN OVER .000100 MIN COPPER.
- BRACKETS: .000200 MIN TIN OVER .000050 MIN COPPER.
- CONTACTS: GOLD PLATING FOR A LENGTH OF .150 MIN FROM MATING END, .000030 MIN GOLD IN MATED AREA, .000100 MIN TIN ON OPPOSITE END, BOTH OVER .000050 MIN NICKEL.
- OR-
- GOLD FLASH OVER PALLADIUM NICKEL PLATED FOR A LENGTH OF .150 MIN FROM MATING END, .000030 MIN PALLADIUM NICKEL IN MATED AREA, .000100 MIN TIN ON OPPOSITE END, BOTH OVER .000050 MIN NICKEL.



P.C. BOARD MOUNTING DIMENSIONS

5745351-4
5745351-2
PART NUMBER

THIS DRAWING IS A CONTROLLED DOCUMENT.		DR: D. HENRY 8-24-05	Tyco Electronics Corporation	
DIMENSIONS: INCHES		OK: S. BOLASH 8-24-05	Harrisburg, PA 17105-3608	
MATERIAL: ⚠		APP: M. WALMSLEY 8-24-05	PLUG ASSY, SIZE 1, 9 POSITION, RIGHT ANGLE, .545 SERIES, .025 SQ POSTS, AMPLIMITE HDP	
FINISH: ⚠		PRODUCT SPEC: 108-40025	SIZE: A2	RESTRICTED TO: -
		APPLICATION SPEC: 114-40013	CHG CODE: 00779	REV: C
		WEIGHT: -	SCALE: 4:1	SHEET: 1 of 1
		CUSTOMER DRAWING	REV: A	

AMP 1471-9 REV 31MM2000

5745351

A