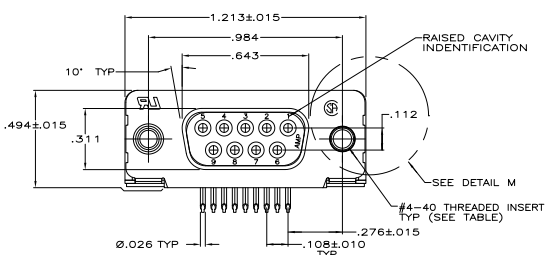
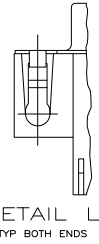
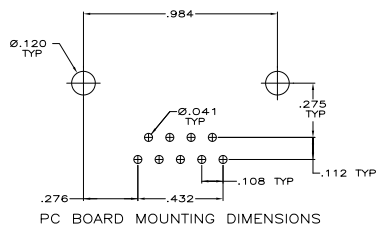
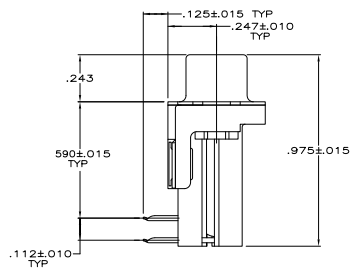
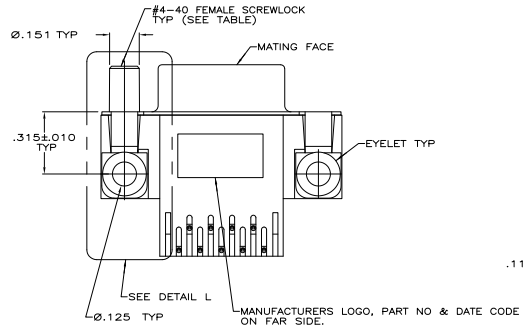


THIS DRAWING IS UNPUBLISHED  
 ALL RIGHTS RESERVED

REV	DATE	DESCRIPTION	BY	CHK	APP
GP	00				
		REVISED PER EDD-11-004835			



- CONNECTOR MATES WITH ANY 9 POSN PLUG IN AMPLIMITE SERIES & COMPLIES WITH AMP SPEC 108-40005 WHERE APPLICABLE.
- MOLDED PARTS: FLAME RETARDANT 94V-0 RATED THERMOPLASTIC, BLACK.  
 SHELL: STEEL.  
 CONTACTS: PHOSPHOR BRONZE.  
 EYELETS: BRASS.  
 SCREWLOCKS: ZINC.  
 INSERTS: ZINC.
- SHELL: BRIGHT TIN.  
 CONTACTS: .000030" GOLD FOR A DISTANCE OF .100 MIN FROM MATING END, TIN PLATED .000100-.000200 ON SOLDER POST, ALL OVER .000050 NICKEL.  
 EYELETS: TIN.  
 SCREWLOCKS: CLEAR CHROMATE.  
 INSERTS: CLEAR CHROMATE.



FEMALE SCREWLOCKS	5745988-6
THREADED INSERTS	5745988-4
MOUNTING HARDWARE	PART NUMBER

THIS DRAWING IS A CONTROLLED DOCUMENT.		J. FERNANDEZ 02-28-05 M. WILMSLEY 04-28-05 M. WILMSLEY 04-28-05		<b>TE</b> Connectivity RCPT ASSY, SIZE 1, RTANG, W/FRONT METAL SHELL, .026 DIA POSTS, AMPLIMITE HD-20 (500 FOOTPRINT) SHORT LEO	
DIMENSIONS: UNLESS OTHERWISE SPECIFIED: DIMENSIONS ARE IN INCHES DECIMALS FRACTIONS TOLERANCES FINISHES	DIMENSIONS: UNLESS OTHERWISE SPECIFIED: DIMENSIONS ARE IN MILLIMETERS DECIMALS FRACTIONS TOLERANCES FINISHES	PART NO: 108-40025 REV: 114-40010	DATE: 04-28-05	SIZE: A1	DRAWING NO: 00779 CUSTOMER DRAWING
CHECKED BY: [Signature] DATE: 04-28-05		DRAWN BY: [Signature] DATE: 04-28-05		REVISIONS: 1. 04-28-05 [Signature]	

COPYRIGHT 2005  
 TE CONNECTIVITY CORP  
 ALL RIGHTS RESERVED