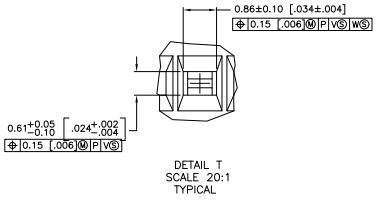
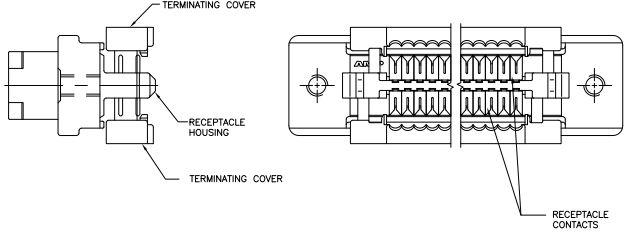
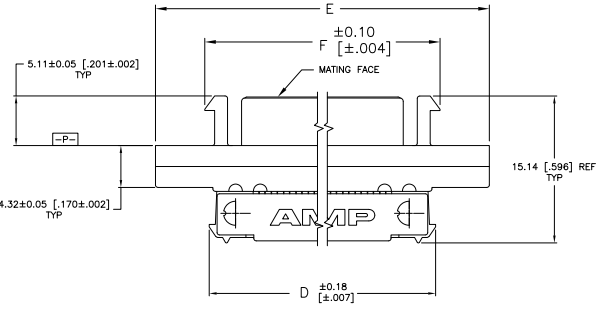
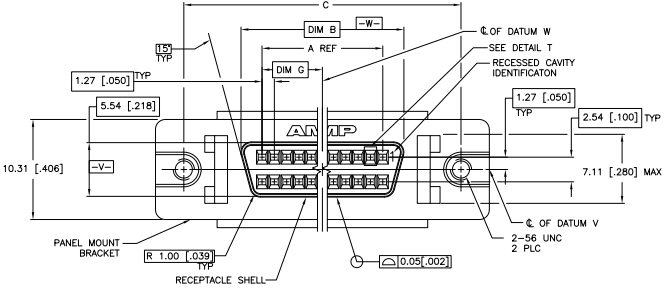


THIS DRAWING IS UNCLASSIFIED
 © 2008 TE Connectivity

REV	DATE	DESCRIPTION	BY	CHK	APP
00	11M011	REVISED PER EDD-11-004836	RK	HMR	



- △ MATERIAL:
 RECEPTACLE CONTACTS— PHOSPHOR BRONZE.
 RECEPTACLE SHELL— STEEL.
 PANEL MOUNT BRACKET— ZINC.
 RECEPTACLE HOUSING AND TERMINATING COVERS— UL V-0 RATED THERMOPLASTIC, COLOR: BLACK.
- △ PLATING:
 RECEPTACLE CONTACTS— EITHER 0.76μm [0.00030] MIN GOLD PLATE OR GOLD FLASH OVER PALLADIUM NICKEL PLATE, 0.76μm [0.00030] MIN TOTAL IN CONTACT AREA, 1.27μm [0.00050] MIN TIN-LEAD IN TERMINATION AREA, ALL OVER 1.27μm [0.00050] MIN NICKEL.
 RECEPTACLE SHELL— 5.08μm [0.000200] MIN NICKEL OVER 1.27μm [0.00050] MIN COPPER.
 PANEL MOUNT BRACKET— 5.08μm [0.000200] MIN NICKEL OVER 7.62μm [0.000300] MIN COPPER.
- 3. RECOMMENDED WIRE:
 28 AWG OR 30 AWG, SOLID OR 7 STRANDED, PVC INSULATION WITH A 0.74–0.91 [0.29–.036] INSULATION DIA.
- △ OBSOLETE PART NUMBER.
- △ PLATING:
 RECEPTACLE CONTACTS— EITHER 0.76μm [0.00030] MIN GOLD PLATE OR GOLD FLASH OVER PALLADIUM NICKEL PLATE, 0.76μm [0.00030] MIN TOTAL IN CONTACT AREA, 1.27μm [0.00050] MIN TIN IN TERMINATION AREA, ALL OVER 1.27μm [0.00050] MIN NICKEL.
 RECEPTACLE SHELL— 5.08μm [0.000200] MIN NICKEL OVER 1.27μm [0.00050] MIN COPPER.
 PANEL MOUNT BRACKET— 5.08μm [0.000200] MIN NICKEL OVER 7.62μm [0.000300] MIN COPPER.

△	NO	37.46	86.74	96.90	85.83	90.93	79.15	74.93	120	6-749656-0
△	NO	20.96	53.72	63.88	52.81	57.91	46.13	41.91	68	1-749656-2
△	NO	15.24	42.29	52.45	41.38	46.48	34.70	30.48	50	1-749656-1
△	NO	37.46	86.74	96.90	85.83	90.93	79.15	74.93	120	1-749656-0
△	NO	31.12	74.04	84.20	73.13	78.23	66.45	62.23	100	749656-9
△	NO	24.76	61.34	71.50	60.43	65.53	53.75	49.53	80	749656-8
△	NO	20.96	53.72	63.88	52.81	57.91	46.13	41.91	68	749656-7
△	NO	18.42	48.64	58.80	47.73	52.83	41.05	36.83	60	749656-6
△	NO	15.24	42.29	52.45	41.38	46.48	34.70	30.48	50	749656-5
△	NO	12.06	35.94	46.10	35.03	40.13	28.35	24.13	40	749656-4
△	NO	8.26	28.32	38.48	27.41	32.51	20.73	16.51	28	749656-3
△	NO	5.72	23.24	33.40	22.33	27.43	15.65	11.43	20	749656-2
△	NO	7.62	27.05	37.21	26.14	31.24	19.46	15.24	26	749656-1
FINISH	DATE CODE	G	F	F	D	C	B	A	NO OF PINS	PART NO

THIS DRAWING IS A CONTROLLED DOCUMENT.

INSTRUCTIONS: DRAWING LABELS: DRAWING NUMBER: RECEPTACLE CABLE ASSEMBLY, RAILLESS, PANEL MOUNT, AMPULITE, GOLD SHEATH.

REVISED PER: 114-40029. SIZE: 5.1. DATE: 00779. PART NO: 749656.

CUSTOMER DRAWING. SIZE: 5.1. SHEET: 1 OF 1.