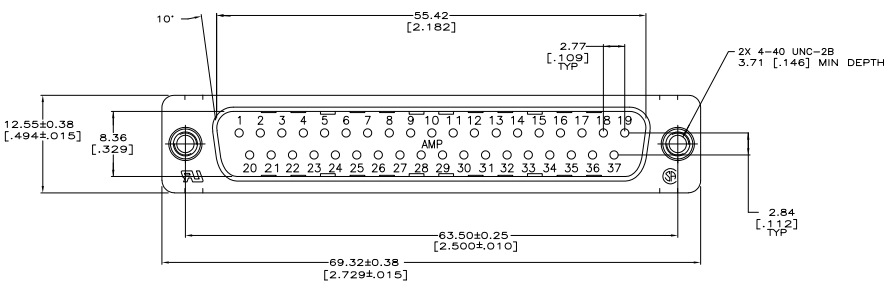
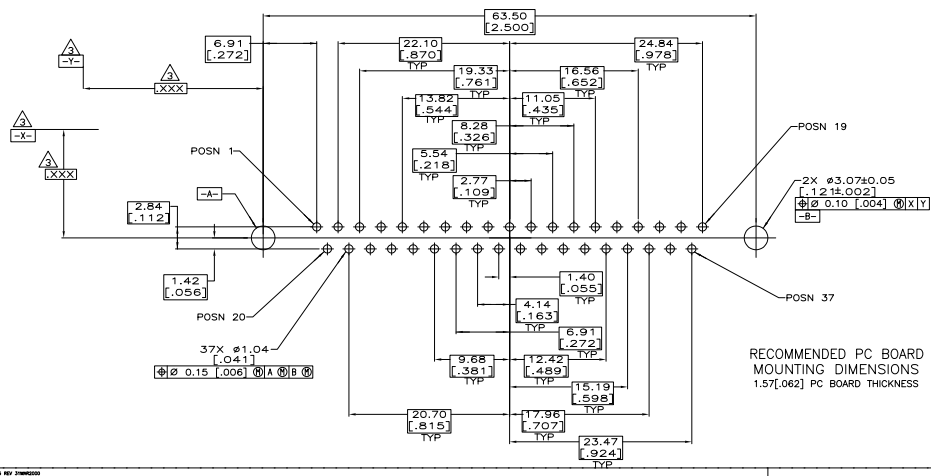
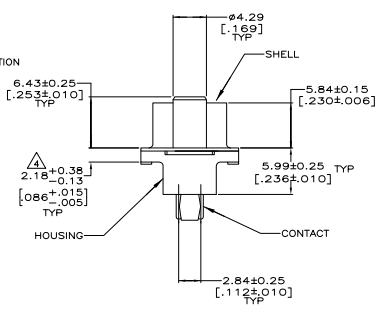
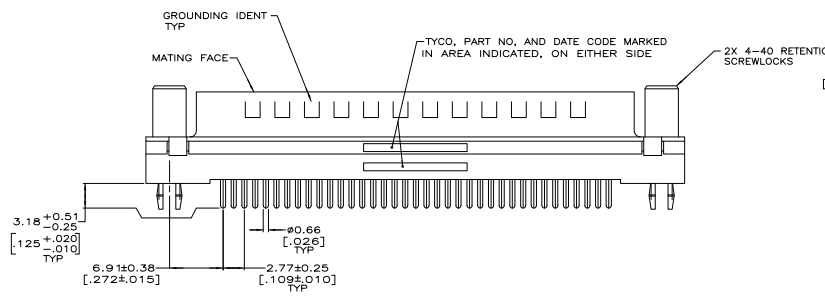


REVISED FOR FABRICATION		REVISIONS	
DATE	BY	DESCRIPTION	DATE
GP 00			
B		REVISED PER ECO-06-03839	3/20/07 ZMR/EDB



- △ HOUSING: POLYESTER, UL 94V-0 RATED, COLOR BLACK.
CONTACTS: PHOSPHOR BRONZE.
RETENTION SCREWLOCKS: BRASS.
SHELL: CARBON STEEL.
- △ SHELL: 5.08µm [.000200] MIN TIN OVER 2.54µm [.000100] MIN COPPER.
CONTACTS: 0.76µm [.000030] MIN GOLD FOR A LENGTH OF 3.81 [.150] MIN FROM MATING END, 2.54µm [.000100] MIN TIN ON OPPOSITE END, BOTH OVER 1.27µm [.000050] MIN NICKEL.
-OR-
GOLD FLASH OVER 0.76µm [.000030] MIN PALLADIUM NICKEL PLATED FOR A LENGTH OF 3.81 [.150] MIN FROM MATING END, 2.54µm [.000100] MIN TIN ON OPPOSITE END, BOTH OVER 1.27µm [.000050] MIN NICKEL.
RETENTION SCREWLOCKS: 2.54µm [.000100] MIN TIN OVER 1.27µm [.000050] MIN NICKEL OVER COPPER FLASH.
- △ DATUMS AND BASIC DIMENSIONS ESTABLISHED BY CUSTOMER.
- △ 2.79[.110] MAX IN SHELL TAB CLINCH AREAS.



5787686-1
PART NUMBER

THIS DRAWING IS A CONTROLLED DOCUMENT		DATE	BY	REVISION	DESCRIPTION
DATE	BY	REVISION	DESCRIPTION		
108-40025				37 POSITION, FRONT METAL SHELL	
114-40023				RETENTION SCREWLOCKS, ANPLATE HS-20	
A1	00779	G=5787686		REVISION	
CUSTOMER DRAWING		DATE	BY	REVISION	DESCRIPTION
4-1					