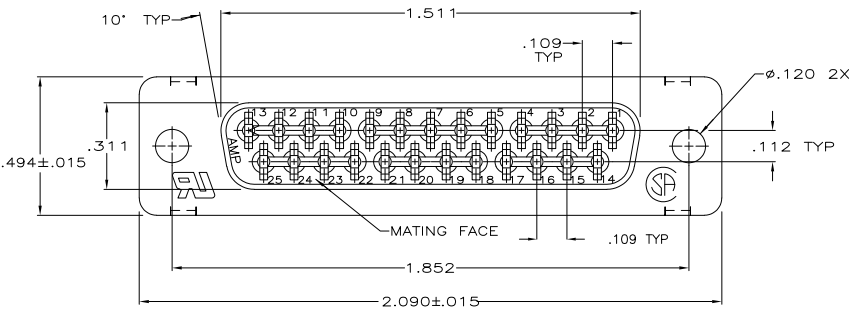
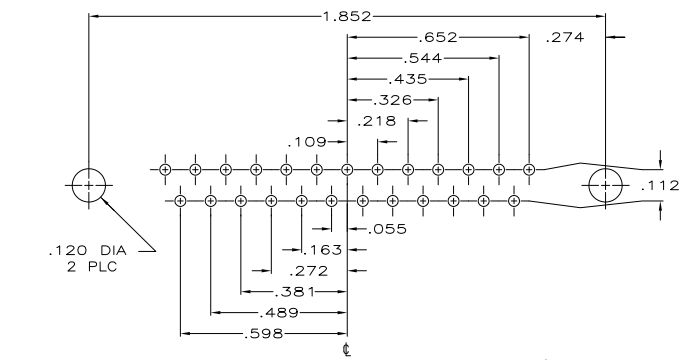
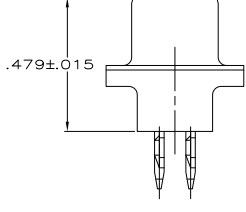
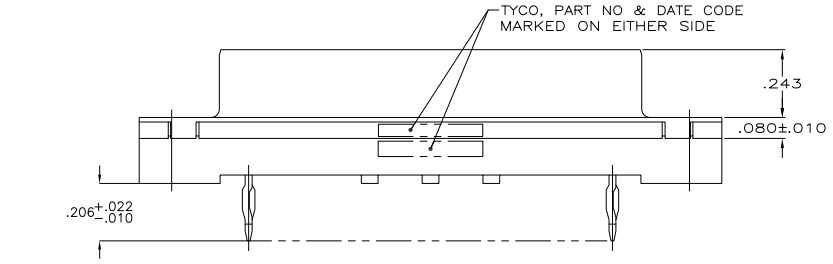


THIS DRAWING IS UNPUBLISHED. RELEASED FOR PUBLICATION  
 © COPYRIGHT 2006 BY TYCO ELECTRONICS CORPORATION. ALL RIGHTS RESERVED.

LOC		DIBT		REVISIONS		
P	LTR	DESCRIPTION	DATE	BY	APPD	
CP	00					
B		REVISED PER ECO-10-019804	26OCT10	HMR	JL	



- △1 RECOMMENDATIONS FOR .093 MIN THICK PC BOARD:  
 A. HOLE DIAMETER AFTER DRILLING=.045±.001.  
 B. HOLE DIAMETER AFTER TIN PLATING= .037-.043.  
 C. HOLE DIAMETER AFTER REFLOW= .036-.043.  
 D. PC BOARD PLATING TO BE .000300 MIN TIN OVER .002±.001 COPPER.
- △2 MATERIAL:  
 HOUSING: GLASS-FILLED NYLON OR POLYESTER, UL94V-0 RATED  
 COLOR: BLACK.  
 CONTACTS: COPPER ALLOY  
 SHELL: CARBON STEEL.
- △3 SHELL: .000200 MIN TIN OVER .000100 MIN COPPER.
- △4 CONTACTS:  
 0.76 MICROMETERS [.000030]MIN GOLD IN MATING AREA.  
 2.54 MICROMETERS [.000100]MIN TIN ON COMPLIANT PIN.  
 ALL OVER 1.27 MICROMETERS [.000050]MIN NICKEL.  
 OR  
 GOLD FLASH OVER PALLADIUM NICKEL.  
 0.76 MICROMETERS [.000030]MIN TOTAL IN MATING AREA.  
 2.54 MICROMETERS [.000100]MIN TIN ON COMPLIANT PIN.  
 ALL OVER 1.27 MICROMETERS [.000050]MIN NICKEL.



P.C. BOARD MOUNTING DIMENSIONS △1

5745922-2  
 PART NUMBER

THIS DRAWING IS A CONTROLLED DOCUMENT.		DR: C. PETERS/DI	OR: M. WALMSLEY	Tyco Electronics Corporation Harrisburg, PA 17105-3608	
DIMENSIONS: INCHES		CHK: S. BOLASH	APP: M. WALMSLEY	RECEPTACLE ASSEMBLY, ACTION-PIN, 25 POSITION, HD-20, AMPLIMITE	
TOLERANCES UNLESS OTHERWISE SPECIFIED:		PRD: 108-40014	APP: M. WALMSLEY	SIZE: A2	
0 PLC ± .005	1 PLC ± .005	APPLICATION SPEC: -	WEIGHT: -	CAGE CODE: 00779	DRAWING NO: C-5745922
2 PLC ± .005	3 PLC ± .005	MATERIAL: △2	FINISH: △3, △4	SCALE: 4:1	SHEET: 1 of 1
4 PLC ± .005	ANGLES ± .005	CUSTOMER DRAWING		REV: B	

AMP 1471-9 REV 31MM2000

5745922