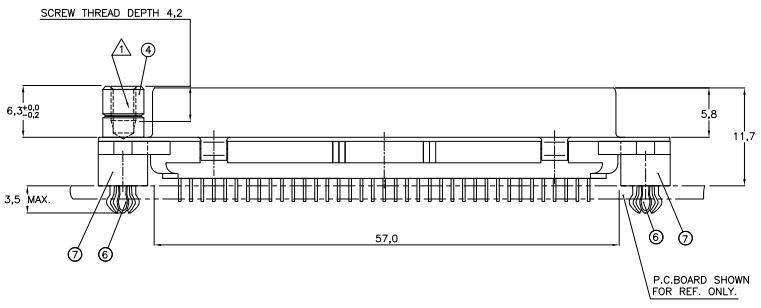
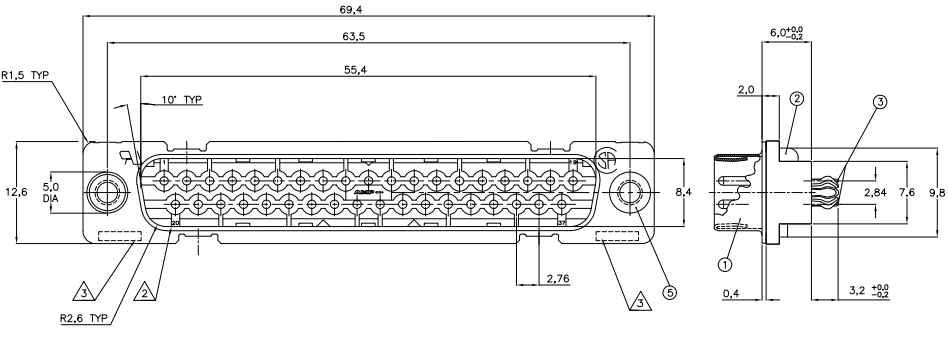


THIS DRAWING IS UNPUBLISHED. RELEASED FOR PUBLICATION.  
 © COPYRIGHT BY TYCO ELECTRONICS CORPORATION. ALL INTERNATIONAL RIGHTS RESERVED.

LOC	DIST	REVISIONS					
H	-	F	LR	DESCRIPTION	DATE	BY	APPD
		E		ECR-06-011911	22-05-06	BSV	DC
		F		ECR-06-016183	10-07-06	BSV	MK
		F1		ECR-08-018358	26-07-08	BSV	MK



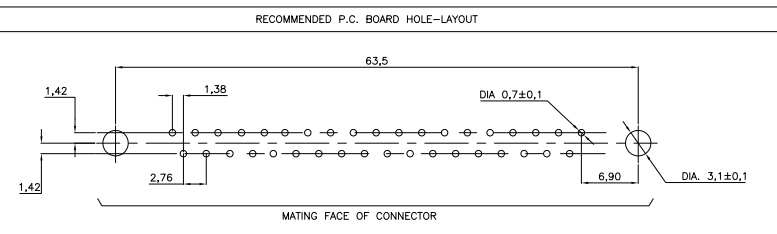
ACCESSORIES PREFIX 'Z'	DESCRIPTION	QTY	UNIT	APD
5	BUSHING WITH THROUGH HOLE 3,1 DIA.	1	2	
5	BUSHING WITH THREAD 4-40 UNC	1	2	
5	BUSHING WITH THREAD M3	1	2	
4	FEMALE SCREWLOCK WITH THREAD 4-40 UNC	1	2	
4	FEMALE SCREWLOCK WITH THREAD M3	1	2	
6	BOARDLOCK	2	2	

HOW TO ORDER:	DESCRIPTION OF ACCESSORY	ITEM NRS.
37 POS. ----->>> Z-338312-Y		
PREFIX FOR ACCESSORIES		1-XXXXX-Y
BASIC PARTNR.		2-XXXXX-Y
SUFFIX FOR PLATING		3-XXXXX-Y
		4-XXXXX-Y
		5-XXXXX-Y
		6-XXXXX-Y
		7-XXXXX-Y
		8-XXXXX-Y
		9-XXXXX-Y

PLATING SUFFIX 'Y'  
 GOLD OVER NICKEL AS PER PERFORMANCE LEVEL 2 (DIN 41652)  
 SOLDERPART: TIN-PLATING 3 µm } -Y = -2

△ GROOVE INDICATES VERSION WITH 4-40 UNC INNER THREAD; WITHOUT GROOVE INDICATES VERSION WITH M3 INNER THREAD.  
 △ CAVITY IDENTIFICATION AT FRONT SIDE ONLY.  
 △ PARTNUMBER AND DATE CODE.  
 4 WHEN BOARDLOCKS ARE USED, CONNECTOR CAN BE USED FOR PCB THICKNESS OF 1,6 mm ONLY.  
 5 SHELL HAS 2x12 GROUNDING SPRINGS; PITCH IS 3,6 mm  
 6 AIR AND CREEPAGE DISTANCES ACCORDING TO DIN41652

- ITEM NRS./MATERIAL :
- ① SHELL : BRIGHT TINPLATED STEEL
  - ② HOUSING : GLASSFILLED POLYESTER, COLOR : BLACK
  - ③ CONTACTS : PHOSPHORBRONZE (PLATING : SEE TABLE ABOVE)
  - ④ FEMALE SCREWLOCK : TINPLATED STEEL (INNER THREAD 4-40 UNC OR M3)
  - ⑤ BUSHING : TINPLATED STEEL (INNER THREAD 4-40 UNC OR M3 OR 3,1 DIA. THROUGH HOLE)
  - ⑥ BOARDLOCK : TINPLATED PHOSPHORBRONZE
  - ⑦ STAND-OFF : ULTRAMID V0 COLOR : BLACK



THIS DRAWING IS A CONTROLLED DOCUMENT.		DWG NO. 0343497	Tyco Electronics Corporation "s"-Hertogenbosch, Nederland	
DIMENSIONS: mm		CHK. C. SOUSA	DATE 09SEP97	NAME
TOLERANCES UNLESS OTHERWISE SPECIFIED:		APPD. E. LEIJTENS	PRODUCT SPEC.	
0 P.L.C.	±	APPLICATION SPEC.		
1 P.L.C.	±	SIZE		
2 P.L.C.	±	CAGE CODE		
3 P.L.C.	±	DRAWING NO.		
4 P.L.C.	±	WEIGHT		
ANGLES	±	SCALE		
FINISH	±	SHEET		
MATERIAL		CUSTOMER DRAWING		RESTRICTED TO
		A2 00779 C-338312		1 of 1
		SCALE NTS		REV F1

1471-9 (1/06)

338312