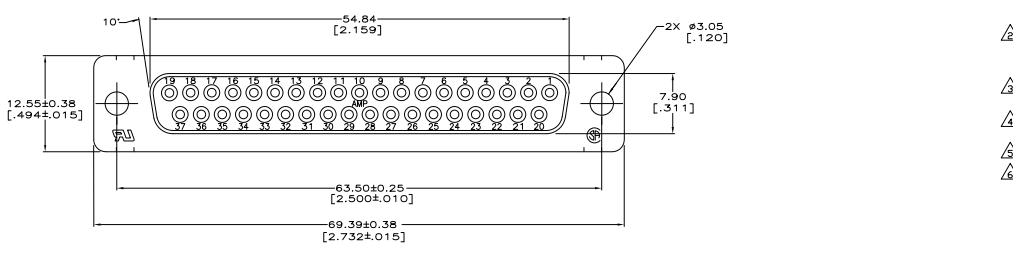
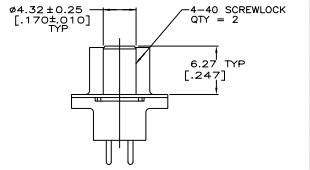
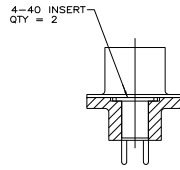
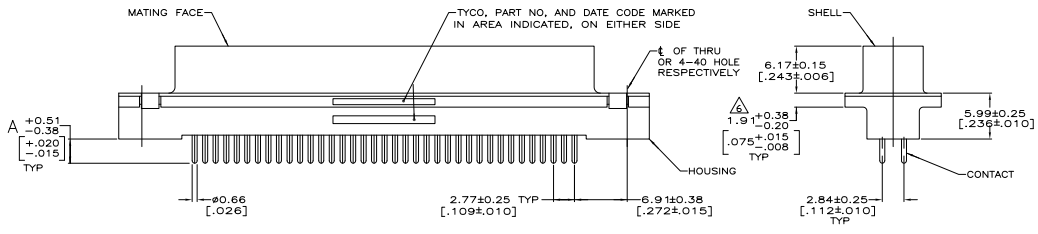


SEE DRAWING IF DIMENSIONAL TOLERANCES ARE NOT SPECIFIED  
 ALL DIMENSIONS UNLESS OTHERWISE SPECIFIED

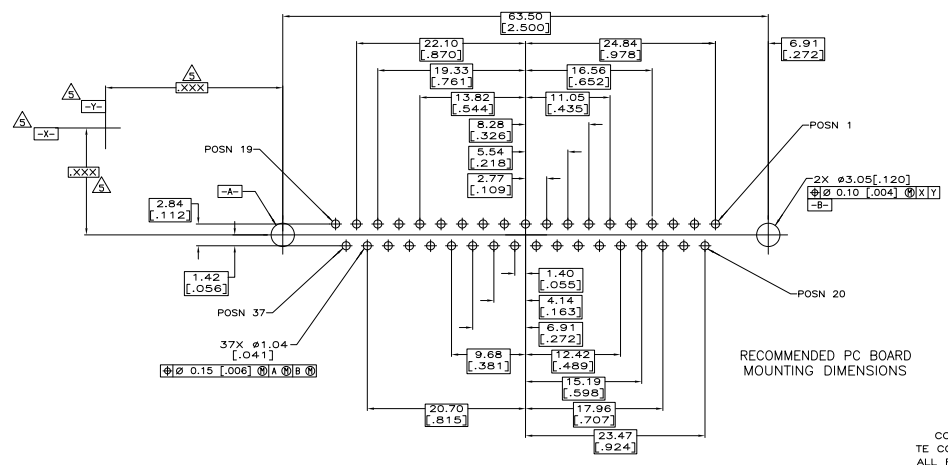
REV	DATE	DESCRIPTION	BY	CHK
GP 00				
A1		REVISED PER ECO-11-004835	11MM11	RK HMR



- △ HOUSING: BLACK POLYESTER, UL 94V-0 RATED
- CONTACTS: PHOSPHOR BRONZE
- SHELL: CARBON STEEL
- SCREWLOCKS: ZINC
- INSERTS: BRASS
- △ SHELL: 5.08µm[.000200] MIN TIN OVER 2.54µm[.000100] MIN COPPER.
- CONTACTS: SEE TABLE
- INSERTS: UNPLATED
- SCREWLOCKS: CLEAR CHROMATE.
- △ GOLD FLASH FOR A LENGTH OF 2.54 [.100] MIN FROM MATING END, 2.54µm[.000100] MIN TIN ON OPPOSITE END, BOTH OVER 1.27µm[.000050] MIN NICKEL.
- △ 0.76µm[.000030] MIN GOLD FOR A LENGTH OF 2.54 [.100] MIN FROM MATING END, 2.54µm[.000100] MIN TIN ON OPPOSITE END, BOTH OVER 1.27µm[.000050] MIN NICKEL.
- △ DATUMS AND BASIC DIMENSIONS ESTABLISHED BY CUSTOMERS.
- △ 2.79 [.110] MAX IN SHELL TAB CLINCH AREAS.



DETAIL D      DETAIL E



REV	DATE	DESCRIPTION	BY	CHK
GP 00				
A1		REVISED PER ECO-11-004835	11MM11	RK HMR

REV	DATE	DESCRIPTION	BY	CHK
GP 00				
A1		REVISED PER ECO-11-004835	11MM11	RK HMR

REV	DATE	DESCRIPTION	BY	CHK
GP 00				
A1		REVISED PER ECO-11-004835	11MM11	RK HMR

REV	DATE	DESCRIPTION	BY	CHK
GP 00				
A1		REVISED PER ECO-11-004835	11MM11	RK HMR

REV	DATE	DESCRIPTION	BY	CHK
GP 00				
A1		REVISED PER ECO-11-004835	11MM11	RK HMR

COPYRIGHT 2005  
 TE CONNECTIVITY CORP  
 ALL RIGHTS RESERVED