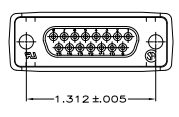
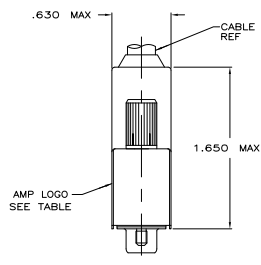
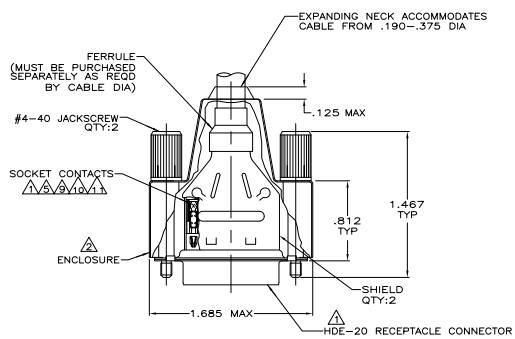


THIS DRAWING IS UNPUBLISHED
 ALL RIGHTS RESERVED
 © 2008 BY TDS ELECTRONICS CORPORATION

REV	DATE	DESCRIPTION	BY	APP
00				
01		REVISED FOR 08-03215	DM	CR



- △ RECEPTACLE CONNECTOR FULLY LOADED WITH CONTACTS. ALL OTHER PARTS ARE SHIPPED UNASSEMBLED. EACH PART INDIVIDUALLY BULK PACKED.
- △ FLAME RETARDANT 94V-0 RATED, POLYOLEFIN OR PVC, BLACK.
- △ INSERT: FLAME RETARDANT 94V-0 RATED, GLASS-FILLED, NYLON OR POLYESTER, BLACK.
- △ SHELLS & SHIELDS: STEEL PER ASTM A109.
- △ CONTACTS: PHOSPHOR BRONZE PER QQ-B-750.
- △ GOLD PLATING PER MIL-G-45204, NICKEL PLATING PER QQ-N-290, TIN PLATING PER MIL-T-10727, ZINC PLATING PER B633, TYPE II, CLASS SCI, BLACK CHROMATE.
- △ SHELLS & SHIELDS: TIN PLATED.
- △ JACKSCREWS: ZINC PHOSPHATE COATING, BLACK.
- △ PLATED WITH GOLD FLASH ON MATING END FOR LENGTH OF .100 MIN. .000100-.000200 TIN OR TIN LEAD ON TERMINATION END, ALL OVER .000030 MIN NICKEL ON ENTIRE CONTACT.
- △ PLATED WITH .000030 GOLD FOR LENGTH OF .100 MIN FROM MATING END, WITH POINT OF MEASUREMENT .050 FROM MATING END OF CONTACT. .000100-.000200 TIN OR TIN LEAD ON TERMINATION END, ALL OVER .000030 MIN NICKEL ON ENTIRE CONTACT.
- △ NUMBER ON CONTACT INDICATES WIRE RANGE.
- △ OBSOLETE PART NUMBER.
- △ SEE RESTRICTED CUSTOMER DRAWING 1-747945-3
- △ CONTACTS SELECTIVELY LOADED IN POSITIONS 2,3,5,6,9,10,12, & 13.
- △ PLATED WITH .000030 GOLD FOR LENGTH OF .100 MIN FROM MATING END, .000100-.000200 TIN ON TERMINATION END, ALL OVER .000050 MIN NICKEL UNDERPLATE ON ENTIRE CONTACT.
- △ PLATED WITH GOLD FLASH FOR A LENGTH OF .100 MIN FROM MATING END, .000100-.000200 TIN ON TERMINATION END, ALL OVER .000030 MIN NICKEL UNDERPLATE ON ENTIRE CONTACT.
- △ JACKSCREWS: ZINC ALLOY.

REV	DATE	DESCRIPTION	BY	APP
1	22-26			
2	22-26			
3	20-22			
4	22-26			
5	22-26			
6	22-26			
7	22-26			
8	22-26			
9	22-26			
10	22-26			
11	22-26			
12	22-26			
13	22-26			
14	22-26			
15	22-26			
16	22-26			
17	22-26			
18	22-26			
19	22-26			
20	22-26			
21	22-26			
22	22-26			
23	22-26			
24	22-26			
25	22-26			
26	22-26			
27	22-26			
28	22-26			
29	22-26			
30	22-26			

THIS DRAWING IS A CONTROLLED DOCUMENT.		DATE: 11-17-21		TDS Electronics Corporation Harrisburg, PA 17105-3608	
DESIGNER: M. WILMSLEY	DATE: 11-17-21	REVISED BY: M. WILMSLEY	DATE: 11-17-21	REVISED BY: M. WILMSLEY	DATE: 11-17-21
DESCRIPTION: SHIELDING ENCLOSURE KIT, RCPV, SIZE 2, 15 POSN, AMP/LIMITS 105C-20	REVISED BY: M. WILMSLEY	DATE: 11-17-21	REVISED BY: M. WILMSLEY	DATE: 11-17-21	REVISED BY: M. WILMSLEY
REVISED BY: M. WILMSLEY	DATE: 11-17-21	REVISED BY: M. WILMSLEY	DATE: 11-17-21	REVISED BY: M. WILMSLEY	DATE: 11-17-21
REVISED BY: M. WILMSLEY	DATE: 11-17-21	REVISED BY: M. WILMSLEY	DATE: 11-17-21	REVISED BY: M. WILMSLEY	DATE: 11-17-21
REVISED BY: M. WILMSLEY	DATE: 11-17-21	REVISED BY: M. WILMSLEY	DATE: 11-17-21	REVISED BY: M. WILMSLEY	DATE: 11-17-21
REVISED BY: M. WILMSLEY	DATE: 11-17-21	REVISED BY: M. WILMSLEY	DATE: 11-17-21	REVISED BY: M. WILMSLEY	DATE: 11-17-21
REVISED BY: M. WILMSLEY	DATE: 11-17-21	REVISED BY: M. WILMSLEY	DATE: 11-17-21	REVISED BY: M. WILMSLEY	DATE: 11-17-21
REVISED BY: M. WILMSLEY	DATE: 11-17-21	REVISED BY: M. WILMSLEY	DATE: 11-17-21	REVISED BY: M. WILMSLEY	DATE: 11-17-21
REVISED BY: M. WILMSLEY	DATE: 11-17-21	REVISED BY: M. WILMSLEY	DATE: 11-17-21	REVISED BY: M. WILMSLEY	DATE: 11-17-21