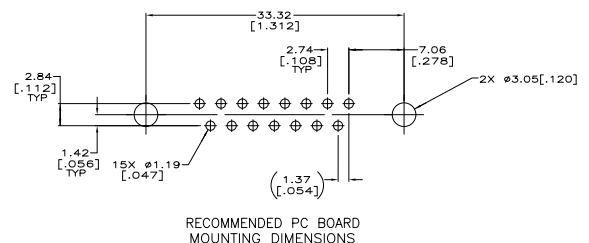
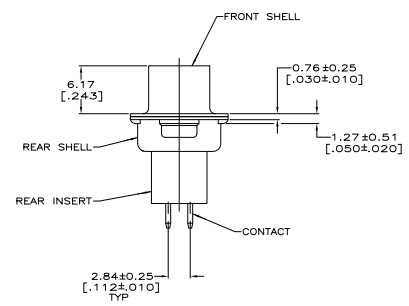
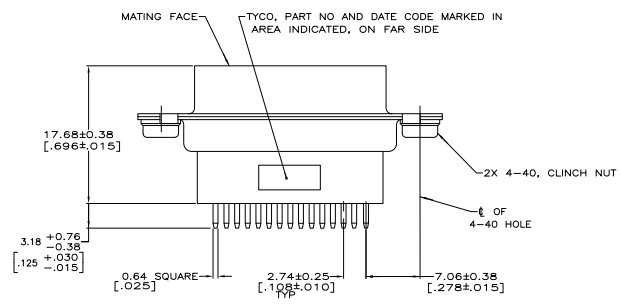
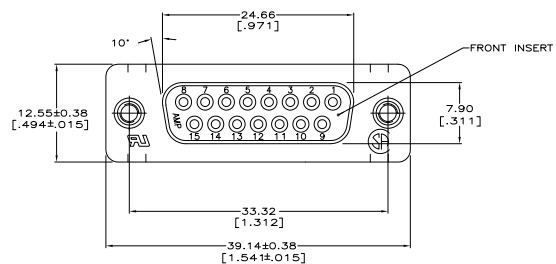


THIS DRAWING IS UNPUBLISHED
 UNLESS INDICATED OTHERWISE
 © 2008 Tyco Electronics Corporation. ALL RIGHTS RESERVED.

REV	DATE	DESCRIPTION	BY	CHKD
00				
C		REVISED FOR ECO-10-000075		

- △ MOLDED PARTS: GLASS-FILLED NYLON, UL 94V-0 RATED, COLOR BLACK.
 CONTACTS: PHOSPHOR BRONZE.
 SHELLS: CARBON STEEL.
 CLINCH NUTS: CARBON STEEL.
- △ SHELLS: 5.08µm[.000200] MIN TIN OVER 2.54µm[.000100] MIN COPPER.
 CLINCH NUTS: .000200 MIN ZINC WITH CLEAR CHROMATE COATING.
 CONTACTS: SEE TABLE.
- △ GOLD FLASH FOR LENGTH OF 2.54[.100] MIN FROM MATING END, 2.54µm[.000100] MIN TIN ON OPPOSITE END, BOTH OVER 1.27µm[.000050] MIN NICKEL.
- △ 0.76µm [.000030] MIN GOLD FOR A LENGTH OF 2.54 [.100] MIN FROM MATING END, 2.54µm [.000100] MIN TIN ON OPPOSITE END, BOTH OVER 1.27µm [.000050] MIN NICKEL.
 -OR-
 GOLD FLASH OVER PALLADIUM-NICKEL 0.76µm [.000030] MIN TOTAL FOR A LENGTH OF 2.54 [.100] MIN FROM MATING END, 2.54µm [.000100] MIN TIN ON OPPOSITE END, BOTH OVER 1.27µm [.000050] MIN NICKEL.



△	5745820-2
△	5745820-1
	CONTACT FINISH PART NO

THIS DRAWING IS A CONTROLLED DOCUMENT.		DATE	REV	DESCRIPTION	BY	CHKD
DESCRIPTION	REVISED	DATE	REV	DESCRIPTION	BY	CHKD
108-40025				RECEPTACLE ASSEMBLY, SIZE 2, 15 POSN, VERTICAL FRONT METAL SHELL, ANISUPATE HD-20		
114-40013						
100779				5745820		
CUSTOMER DRAWING						