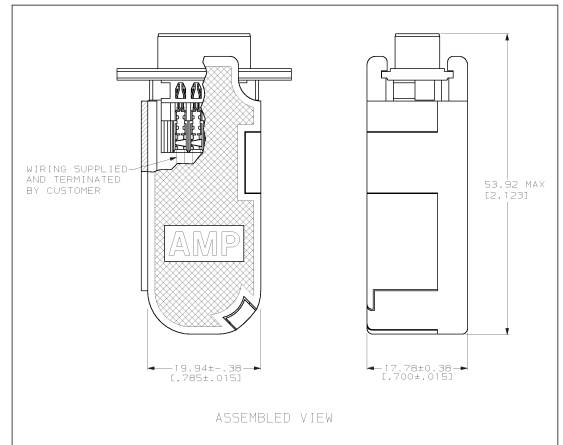
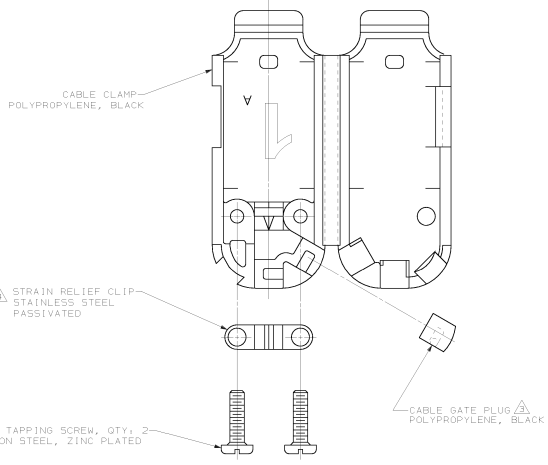
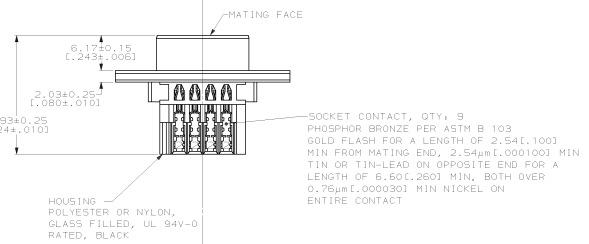
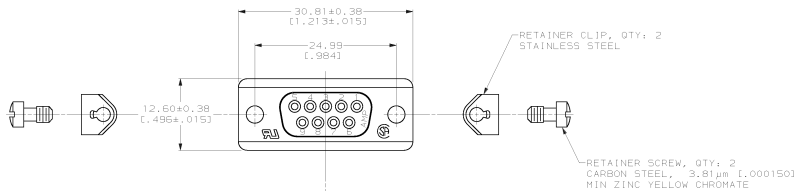


DRAWING MADE IN 3D CAD MODEL PRODUCTION
 THIS DRAWING IS UNPUBLISHED. RELEASED FOR PUBLICATION
 © COPYRIGHT 19 BY AMP INCORPORATED. ALL INTERNATIONAL RIGHTS RESERVED.

REV	ISS	DATE	ZONE	BY	DESCRIPTION	DATE	APPD
D	BD	48			RELEASED PER NFR 2503	1-14-90	
A					REV PER ECN B04230	07/09	JM
B					REV PER ECN B04276	07/10	
C					REV PER ECN B05736	06/04	RM
D					REV PER ECN 01010-0123-00	17 APR 01	JK



- CONTACTS ACCEPT 22-26 AWG RANGE.
- GOLD PLATING PER MIL-G-45204; NICKEL PLATING PER QQ-N-290;
 TIN PLATING PER MIL-T-10727, ZINC PLATING PER ASTM B633,
 TYPE 11, CLASS S-C1.
- CABLE GATE PLUG TO BE PLACED IN CABLE EXIT NOT BEING USED.
- STRAIN RELIEF CLIP CAN BE REVERSED FOR PROPER INSTALLATION, DEPENDING
 ON SIZE OF CABLE DIAMETER.
- CABLE DIAMETER RANGE = 1.91-6.35 (.075-.250).

DO NOT SCALE PRINT. UNLESS SPECIFIED DIMENSIONS IN MM (INCHES) FRACTIONS ON 1 3 P.L.C. DEC. # INCHES #		DR 1-5-90 W. GLENNER CHK 6-4-90 G. STONE APPD 6-5-90 BOB TAYLOR MATERIAL APPD 6-5-90 J. JOHNSON PRODUCT SPEC 108-40011	749813-1 PART NO.
SEE CALLOUTS	FINISH SEE CALLOUTS	APPLICATION SPEC 114-40002	AMP INCORPORATED MORTONSBURG, PA. 17055 NAME RECEPTACLE KIT, UNASSEMBLED, SIZE 1, 9 POSITION, AMPLIMITE® HDE-20
		RETURN	SIZE D
			DATE CODE 00779
			DRAWING NO. 749813-1
			SCALE 3:1
			SHEET 1 OF 1

CUSTOMER DRAWING