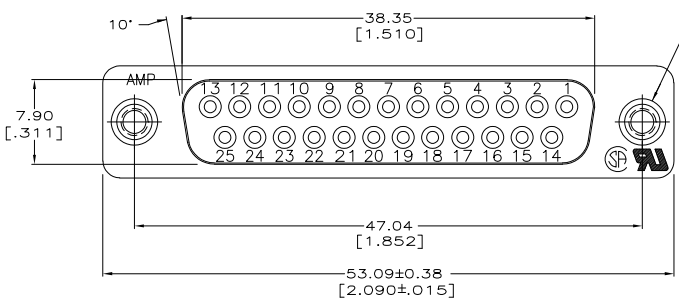
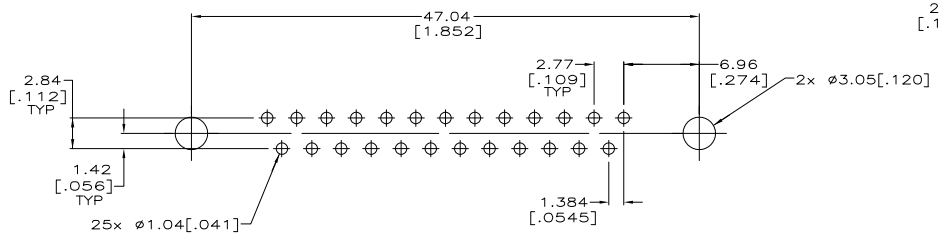
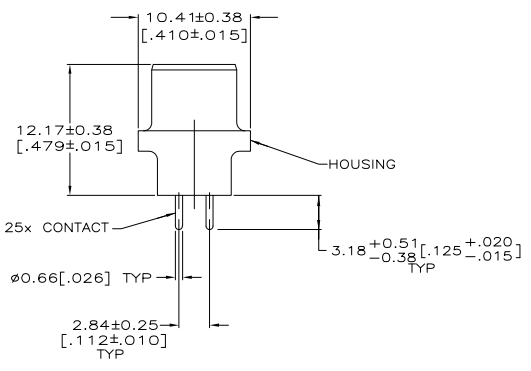
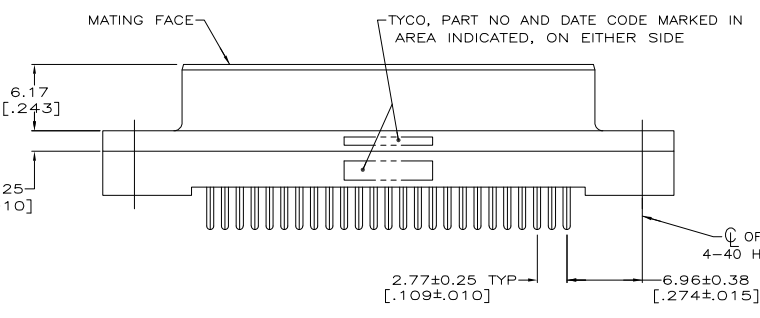


THE DRAWING IS UNPUBLISHED.  
 RELEASED FOR PUBLICATION  
 BY TYCO ELECTRONICS CORPORATION. ALL RIGHTS RESERVED.

LOC	QST	REVISIONS			
P	LTR	DESCRIPTION	DATE	OWN	APP
GP	00	RELEASED PER EC 0513-0087-05	13SEP05	GP	JG



- 1 HOUSING: BLACK POLYESTER, UL 94V-0 RATED; CONTACTS: PHOSPHOR BRONZE; INSERTS: BRASS.
- 2 GOLD FLASH FOR A LENGTH OF 2.54[.100] MIN FROM MATING END, 2.54 μm[.000100] MIN TIN ON OPPOSITE END, ALL OVER 1.27 μm[.000050] MIN NICKEL.
- 3 0.76 μm[.000030] MIN GOLD FOR A LENGTH OF 2.54[.100] MIN FROM MATING END, 2.54 μm[.000100] MIN TIN ON OPPOSITE END, ALL OVER 1.27 μm[.000050] MIN NICKEL.



RECOMMENDED PC BOARD MOUNTING DIMENSIONS

**COPYRIGHT 2005  
 TYCO ELECTRONICS CORP  
 ALL RIGHTS RESERVED**

5745058-4	CONTACT FINISH
5745058-3	PART NO

THIS DRAWING IS A CONTROLLED DOCUMENT.		DWN G. PETERS 13SEP05 DNE S. BOLASH 13SEP05 DPM M. WALMSLEY 13SEP05	Tyco Electronics Corporation Harrisburg, PA 17105-3608
DIMENSIONS: mm [INCHES] TOLERANCES UNLESS OTHERWISE SPECIFIED: Ø .125 [.005] .125 [.005] .125 [.005] .125 [.005]	PRODUCT SPEC: 108-40025 APPLICATION SPEC:	SIZE: A2 CAGE CODE: 00779 DRAWING NO: 5745058	RECEPTACLE ASSEMBLY, SIZE 3, 25 POSN, VERTICAL, AMPLIMITE HD-20
MATERIAL: SEE TABLE	WEIGHT: -	SCALE: 4:1	RESTRICTED TO: -

AMP 1471-B REV 31MAR2000

5745058