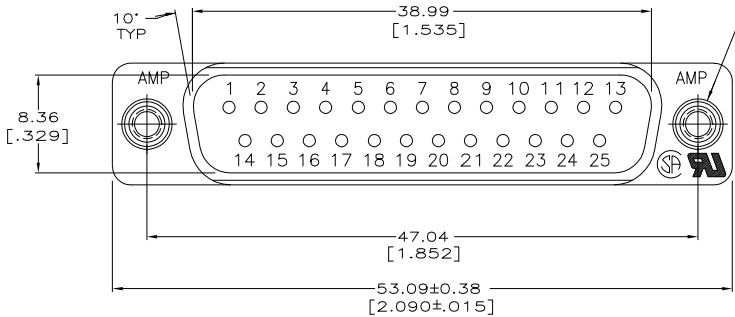
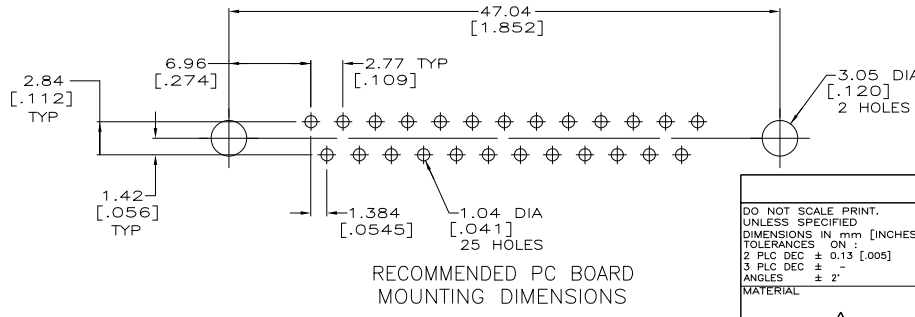
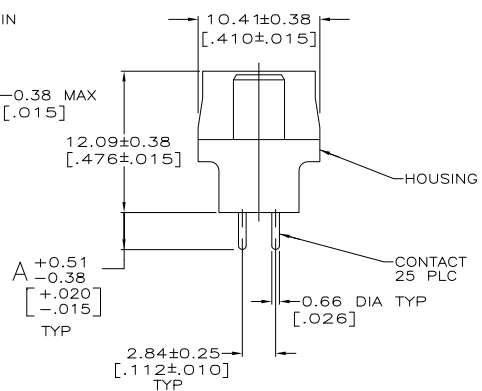
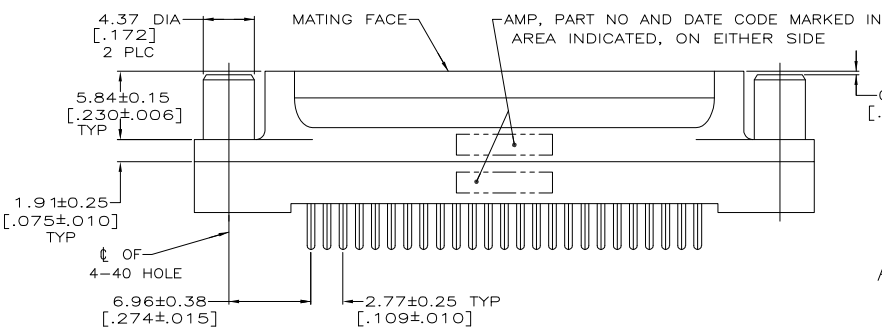


THIS DRAWING IS UNPUBLISHED. RELEASED FOR PUBLICATION .19
 © COPYRIGHT 19 BY AMP INCORPORATED. ALL INTERNATIONAL RIGHTS RESERVED.

LOC		DIST		P		F		ZONE		LTR		REVISIONS		
BD	77										J	DESCRIPTION	DATE	APPD
												OBSOLETE -2 PER ECO-07-000087	01-17-2007	SB



- △ HOUSING: BLACK POLYESTER, UL 94V-0 RATED; CONTACT: BRASS PER MIL-C-50; SCREWLOCK: BRASS PER QQ-B-626.
- △ GOLD PLATING PER MIL-G-45204, TIN PLATING PER MIL-T-10727, NICKEL PLATING PER QQ-N-290, COPPER PLATING PER MIL-C-14550.
- △ GOLD PLATED FOR A LENGTH OF 3.81 [.150] MIN FROM MATING END, GOLD FLASH IN MATED AREA, 2.54µm [.000100] MIN TIN OR TIN-LEAD FOR A LENGTH OF DIMENSION A FROM OPPOSITE END, ALL OVER 1.27µm [.000050] MIN NICKEL.
- △ GOLD PLATED FOR A LENGTH OF 3.81 [.150] FROM MATING END, 0.76µm [.000030] MIN GOLD IN MATED AREA, 2.54µm [.000100] MIN TIN OR TIN-LEAD FOR A LENGTH OF DIMENSION A FROM OPPOSITE END, ALL OVER 1.27µm [.000050] MIN NICKEL.
- △ 1.27µm [.000050] MIN NICKEL OVER COPPER FLASH.



OBSOLETE	6.35	[.250]	△	745073-6
OBSOLETE	6.35	[.250]	△	745073-5
OBSOLETE	4.32	[.170]	△	745073-4
OBSOLETE	4.32	[.170]	△	745073-3
OBSOLETE	3.18	[.125]	△	745073-2
OBSOLETE	3.18	[.125]	△	745073-1

MATERIAL		FINISH		PART NO	
DO NOT SCALE PRINT. UNLESS SPECIFIED DIMENSIONS IN mm [INCHES] TOLERANCES ON: 2 PLC DEC ± 0.13 [.005] 3 PLC DEC ± . ANGLES ± 2°		A +0.51 -0.38 [+0.020] [-0.015] TYP		A CONTACT FINISH	
AMP INCORPORATED Harrisburg, Pa. 17105		NAME		PART NO	
AMPD 2-2-90 S.SCHIEFERLY		PLUG ASSEMBLY, SIZE 3, 25 POSN, VERTICAL, AMPLITE® HD-20		745073	
APPD 2-2-90 C.RHDE		SIZE		DRAWING NO	
PRODUCT SPEC 108-40025		C 00779		745073	
FINISH △ CONTACT: SEE TABLE SCREWLOCK: △		APPLICATION SPEC		SCALE	
DR 11-14-89 J.McCLINTON		-		4:1	
CHK 2-2-90 R.STONE		WEIGHT		SHEET 1 OF 1	
APPD 2-2-90 S.SCHIEFERLY		-			

AMP 1471-6 REV 6-89 Transmitted 01117,091718 (VMM001080M55) from Computertron, Inc., Medium Revision 12.2.97

CUSTOMER DRAWING