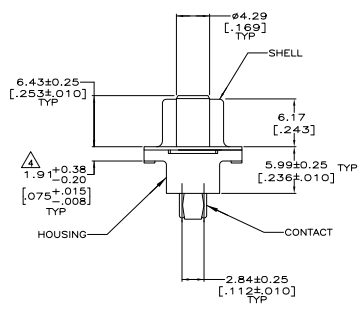
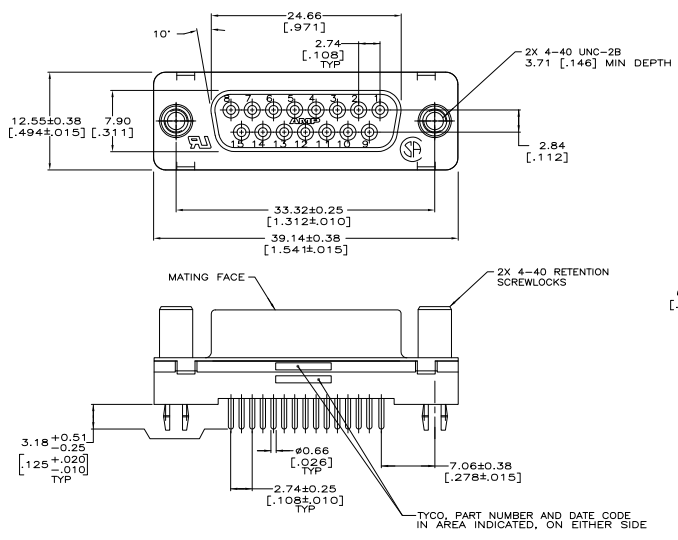
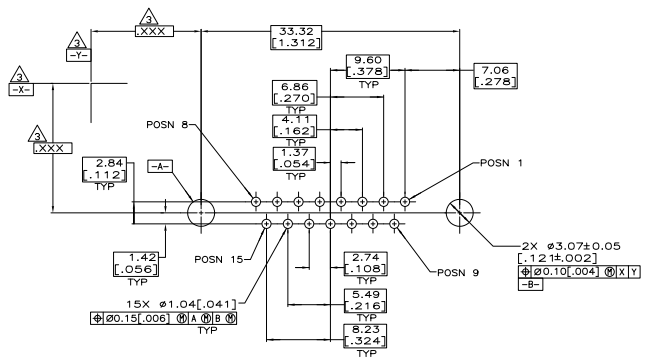


THIS DRAWING IS UNPUBLISHED
 UNLESS INDICATED OTHERWISE
 © TYSER ELECTRONICS CORPORATION ALL RIGHTS RESERVED

REV	DATE	DESCRIPTION	BY	CHK	APP
GP 00					
A		REL. PER EC 0513-0415-05			



- ⚠ HOUSING: POLYESTER, UL 94V-0 RATED, BLACK.
CONTACTS: PHOSPHOR BRONZE
RETENTION SCREWLOCKS: BRASS
SHELL: CARBON STEEL
- ⚠ SHELL: 5.08μm[.000200] MIN TIN OVER 2.54μm[.000100] MIN COPPER.
CONTACTS: 0.76μm[.000030] MIN GOLD FOR A LENGTH OF 1.40[.055] MIN
FROM MATING END, 2.54μm[.000100] MIN TIN ON OPPOSITE END, BOTH OVER
1.27μm[.000030] MIN NICKEL OVER COPPER FLASH.
RETENTION SCREWLOCKS: 2.54μm[.000100] MIN TIN OVER 1.27μm[.000050] MIN NICKEL
OVER COPPER FLASH.
- ⚠ DATUMS AND BASIC DIMENSIONS ESTABLISHED BY CUSTOMER.
- ⚠ 2.79[.110] MAX IN SHELL TAB CLUNCH AREAS.



RECOMMENDED PC BOARD MOUNTING DIMENSIONS
 1.57[.062] PC BOARD THICKNESS

5787683-1
 PART NUMBER

THIS DRAWING IS A CONTROLLED DOCUMENT.		DATE	REV	DESCRIPTION	BY	CHK	APP
DATE	REV	DESCRIPTION	BY	CHK	APP		
108-40025	1	RECEPTACLE ASSEMBLY, SIZE 2, 15 POSITION, FRONT METAL SHELL, RETENTION SCREWLOCKS, ANPLIMATE HS-20					
114-40023	1	REVISION SHEET					
		CUSTOMER DRAWING					

A

B

C

1

2

3

4

5

6

7

8

D

B

A

A

A

A

A

A

A

A