

4

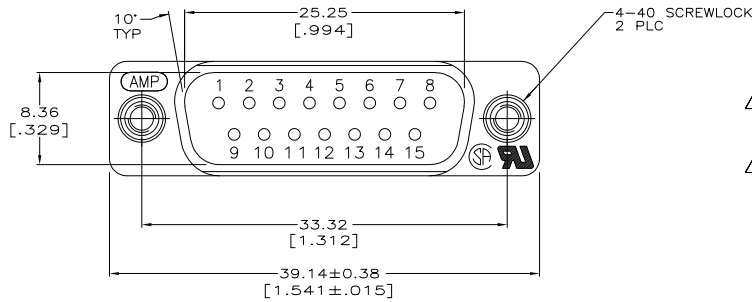
3

2

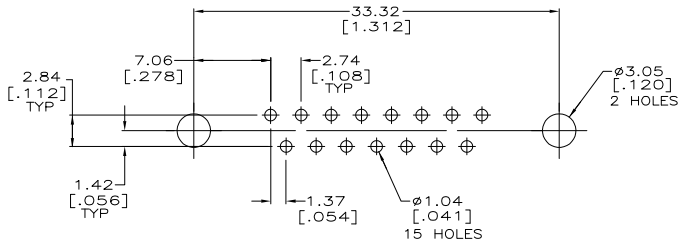
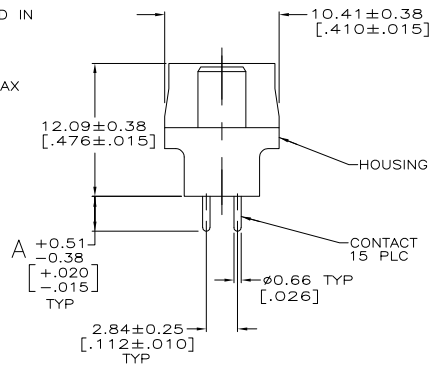
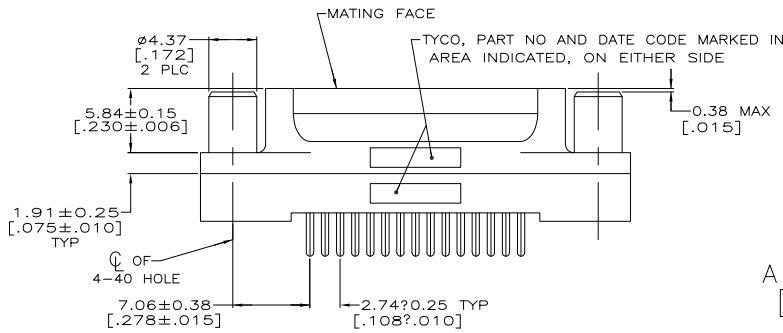
1

THIS DRAWING IS UNPUBLISHED. RELEASED FOR PUBLICATION
 BY TYCO ELECTRONICS CORPORATION. ALL RIGHTS RESERVED.

LOC	DIST	REVISIONS				
GP	00	F	LR	DATE	BY	APP'D
		A		REVISED PER ECO-06-026339	18/DEC/06	ZMR/EDB



- △ HOUSING: BLACK POLYESTER, UL 94V-0 RATED.
CONTACTS: BRASS.
SCREWLOCKS: BRASS.
 - △ CONTACTS: GOLD PLATED FOR A LENGTH OF 3.81 [0.150] MIN FROM MATING END, 0.76µm [0.00030] MIN GOLD IN MATED AREA, 2.54µm [0.000100] MIN TIN ON OPPOSITE END, ALL OVER 1.27µm [0.000050] MIN NICKEL
-OR-
GOLD FLASH OVER PALLADIUM NICKEL PLATED FOR LENGTH OF 3.81 [0.150] MIN FROM MATING END, 0.76µm [0.00030] MIN PALLADIUM NICKEL IN MATED AREA, 2.54µm [0.000100] MIN TIN ON OPPOSITE END, ALL OVER 1.27µm [0.000050] MIN NICKEL.
- SCREWLOCKS: 1.27µm [0.000050] MIN NICKEL OVER COPPER FLASH.



RECOMMENDED PC BOARD MOUNTING DIMENSIONS

**COPYRIGHT 2005
 TYCO ELECTRONICS CORP
 ALL RIGHTS RESERVED**

4.32 [0.170]	5745072-4
3.18 [0.125]	5745072-2
A	PART NO

THIS DRAWING IS A CONTROLLED DOCUMENT.		DRN C. PETERS 13SEP05	Tyco Electronics Corporation Harrisburg, PA 17105-3608
DIMENSIONS: mm [INCHES]		CHK S. BOLASH 13SEP05	
MATERIAL		APPC M. WALMSLEY 13SEP05	NAME
FINISH		PRODUCT SPEC 108-40025	PLUG ASSEMBLY, SIZE 2, 15 POSN, VERTICAL, AMPLIMITE HD-20
		APPLICATION SPEC	RESTRICTED TO
		WEIGHT	SIZE CASE CODE DRAWING NO
		CUSTOMER DRAWING	A2 00779 C=5745072
			SCALE 4:1 SHEET 1 of 1 REV A

AMP 1471-9 REV 31MMR2000

5745072

B

A