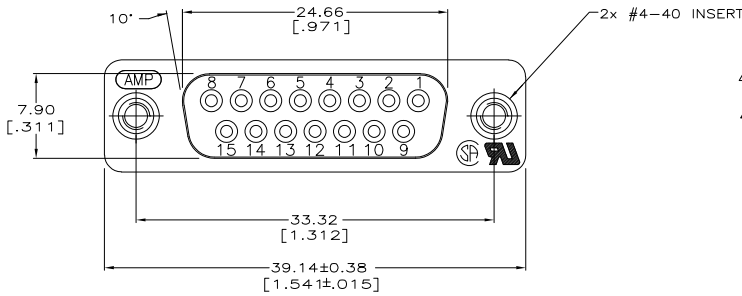
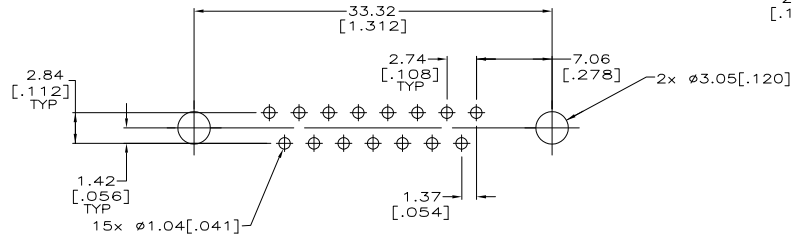
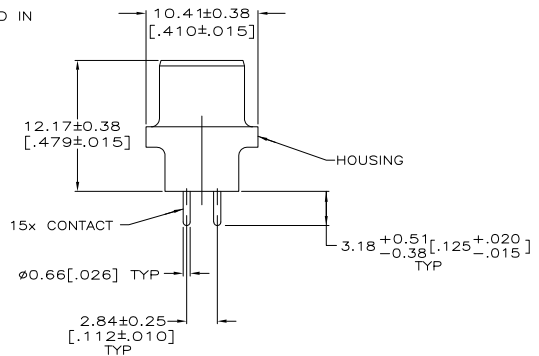
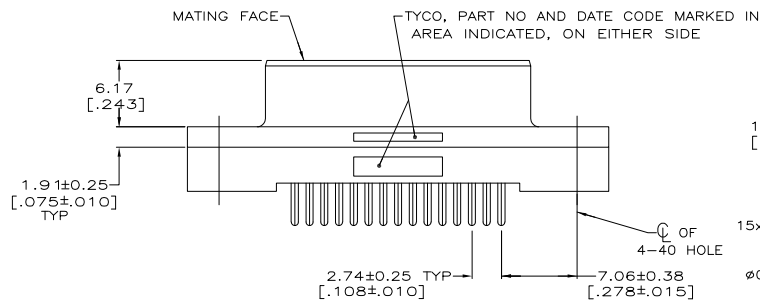


THIS DRAWING IS UNPUBLISHED.
 RELEASED FOR PUBLICATION
 BY TYCO ELECTRONICS CORPORATION. ALL RIGHTS RESERVED.

LOC	QST	REV	DESCRIPTION	DATE	BY	APP
GP	00	0	RELEASED PER EC 0513-0087-05	13SEP05	GP	JG



- 1 HOUSING: BLACK POLYESTER, UL 94V-0 RATED; CONTACTS: PHOSPHOR BRONZE; INSERTS: BRASS.
- 2 GOLD FLASH FOR A LENGTH OF 2.54[.100] MIN FROM MATING END, 2.54 μm[.000100] MIN TIN ON OPPOSITE END, ALL OVER 1.27 μm[.000050] MIN NICKEL.
- 3 0.76 μm[.000030] MIN GOLD FOR A LENGTH OF 2.54[.100] MIN FROM MATING END, 2.54 μm[.000100] MIN TIN ON OPPOSITE END, ALL OVER 1.27 μm[.000050] MIN NICKEL.



RECOMMENDED PC BOARD MOUNTING DIMENSIONS

**COPYRIGHT 2005
 TYCO ELECTRONICS CORP
 ALL RIGHTS RESERVED**

3	5745057-4
2	5745057-3
CONTACT FINISH	PART NO

THIS DRAWING IS A CONTROLLED DOCUMENT.		BY G. PETERS	13SEP05	 Tyco Electronics Corporation Harrisburg, PA 17105-3608
DIMENSIONS: TO DIMENSIONS UNLESS OTHERWISE SPECIFIED:		BY S. BOLASH	13SEP05	
MATERIAL: SEE TABLE		BY M. WALMSLEY	13SEP05	108-40025 APPLICATION SPEC SIZE: A2 CAGE CODE: 00779 DRAWING NO: 5745057 CUSTOMER DRAWING
RECEPTACLE ASSEMBLY, SIZE 2, 15 POSN, VERTICAL, AMPLIMITE HD-20				RESTRICTED TO
SCALE: 4:1				SHEET: 1 of 1