

4

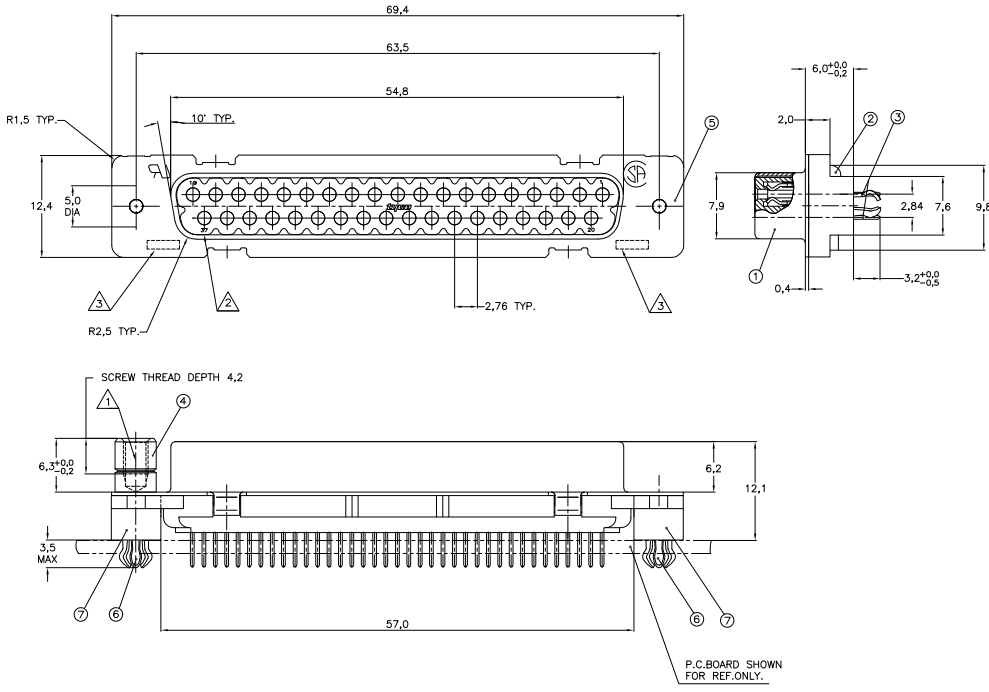
3

2

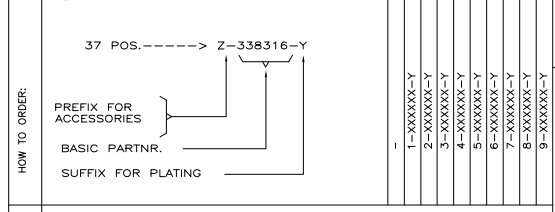
1

THIS DRAWING IS UNPUBLISHED. RELEASED FOR PUBLICATION
 © COPYRIGHT BY TYCO ELECTRONICS CORPORATION. ALL RIGHTS RESERVED.

LOC	DIST	REVISIONS					
H	-	F	LR	DESCRIPTION	DATE	BY	APD
		D		EH-1417-99	19-02-00	P.W	WC
		E		ECR-06-011911	22-05-06	BSV	DC
		F		ECR-06-029370	21-03-07	BSV	MK



ITEM NO	DESCRIPTION OF ACCESSORY	QTY	UNIT
5	BUSHING WITH THROUGH-HOLE 3,1 DIA.	2	2
5	BUSHING WITH THREAD 4-40 UNC	2	2
5	BUSHING WITH THREAD M3	2	2
4	FEMALE SCREWLOCK WITH THREAD 4-40 UNC	2	2
4	FEMALE SCREWLOCK WITH THREAD M3	2	2
6	BOARDLOCK	2	2



PLATING SUFFIX -Y

GOLD OVER NICKEL AS PER PERFORMANCE LEVEL 2 (DIN 41652)

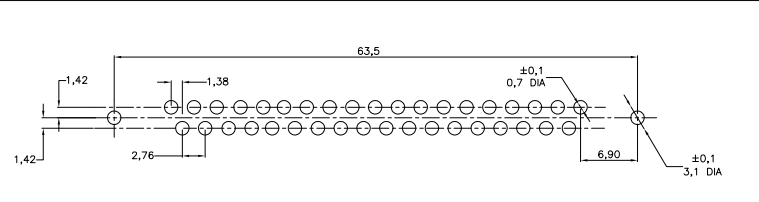
SOLDER-PART :TIN-PLATING 3µm.

-Y = -2

- ⚠ GROOVE INDICATES VERSION WITH 4-40 UNC INNER THREAD; WITHOUT GROOVE INDICATES VERSION WITH M3 INNER THREAD.
- ⚠ CAVITY IDENTIFICATION AT FRONT SIDE ONLY.
- ⚠ PARTNUMBER AND DATE CODE.
- 4. WHEN BOARDLOCKS ARE USED, CONNECTOR CAN BE USED FOR PCB THICKNESS OF 1,6 mm ONLY.
- 5. AIR AND CREEPAGE DISTANCES ACCORDING TO DIN 41652

- ITEM NRS./MATERIAL :
- ① SHELL = BRIGHT TINPLATED STEEL
 - ② HOUSING = GLASSFILLED POLYESTER, COLOR : BLACK
 - ③ CONTACTS = PHOSPHORBRONZE
 - ④ FEMALE SCREWLOCK = TINPLATED STEEL (INNER THREAD 4-40 UNC OR M3)
 - ⑤ BUSHING = TINPLATED STEEL (INNER THREAD 4-40 UNC OR M3 OR 3,1 DIA. THROUGH-HOLE)
 - ⑥ BOARDLOCK = TINPLATED PHOSPHORBRONZE
 - ⑦ STAND OFF = ULTRAMID VO COLOR : BLACK

RECOMMENDED P.C. BOARD HOLE-LAYOUT



THIS DRAWING IS A CONTROLLED DOCUMENT.

DIMENSIONS: MM	TO DIMENSIONS UNLESS OTHERWISE SPECIFIED	DIN J. LIEMPT	D1.04.97	tyco Electronics	Tyco Electronics Corporation a-Hertogenbosch, Nederland.
MATERIAL	FINISH	APP. SPEC.	WEIGHT	SIZE	CAGE CODE
-	-	-	-	A2	00779

CUSTOMER DRAWING

SCALE: NTS

SHEET 1 OF 1

REV: F

AMP 1471-9 REV 31MM2000

338316

A