

4

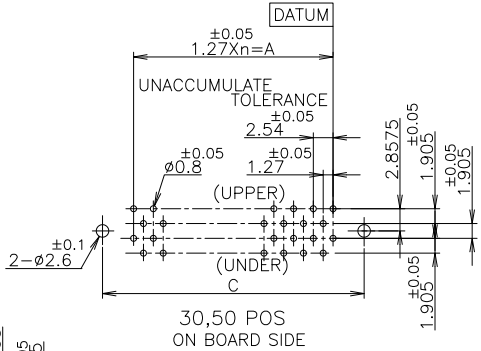
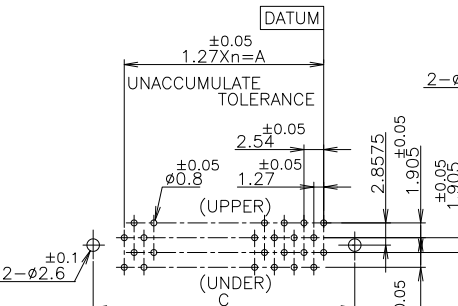
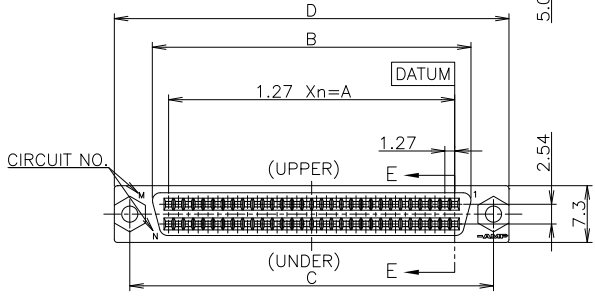
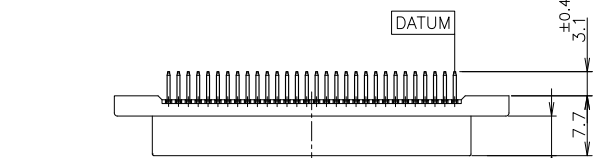
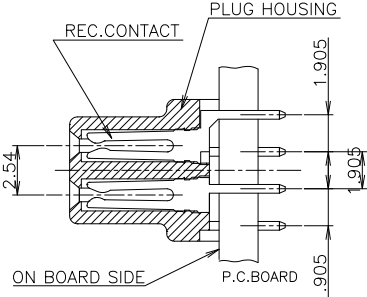
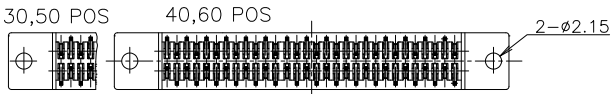
3

2

1

THIS DRAWING IS UNPUBLISHED. RELEASED FOR PUBLICATION AUG. 2004. COPYRIGHT 2004 BY TYCO ELECTRONICS CORPORATION. ALL RIGHTS RESERVED.

P	LTR	DESCRIPTION	DATE	DWN	APVD
0		RELEASED	23AUG04	C.W	I.E
01		REVISED PER ECO-10-000444	19JAN10	KK	HMR



- 1 USE A P.C.B. WHOSE ARE TREATED WITH SOLDER RESIST.
- 2 SHOW P.C.B LAYOUT FROM ON BOARD SURFACE SIDE.
- 3 NUMBER THE CONTACT IN THE P.C.B OR CONNECTOR CONSECUTIVELY FROM "DATUM" SIDE.
- 4 APPLY M2 SCREW & NUT TO FIX OF CONNECTOR.
- 5 HOUSING MATERIAL : P.B.T(UL94V-0) / BLACK
- 6 CONTACT MATERIAL : PHO-BRONZE
- 7 FINISH : NICKEL 0.00127 MIN THK. OVERALL SELECTIVE GOLD 0.00076 MIN. OR 0.0002 MIN. THK ON CONTACT AREA AND TIN 0.001 MIN THK. ON TINE AREA.
- 8 OBSOLETE PARTS: OBSOLETE CIS STREAMLINING PER D.RENAUD/D.SINISI

Au PL. 0.00076 MIN.	6-	-4	60	29	36.83	41.00	46.80	50.80
	6-	-3	50	24	30.48	34.65	40.45	44.45
	6-	-2	40	19	24.13	28.30	34.10	38.10
	6-	-1	30	14	17.78	21.95	27.75	31.75
		-4	60	29	36.83	41.00	46.80	50.80
		-3	50	24	30.48	34.65	40.45	44.45
		-2	40	19	24.13	28.30	34.10	38.10
		-1	30	14	17.78	21.95	27.75	31.75
Au PL. 0.0002 MIN. <td>5173279-1</td> <td>30</td> <td>14</td> <td>17.78</td> <td>21.95</td> <td>27.75</td> <td>31.75</td> <td></td>	5173279-1	30	14	17.78	21.95	27.75	31.75	

AMP 1470-19 REV 31MAR2000

05FEB04 -- FB001309

S:\AMP-Kawasaki\CC_CE\EN22_CadData\AutoCAD\j0t0261Y_Abe\Shirai-G\Sekiba\FJBO-0467-03\c-173279_D.dwg

LEAD FREE

GENERAL TOLERANCE
一般公差
10 ≥ : ±0.2
30 ≥ > 10: ±0.25
100 ≥ > 30: ±0.3
ANGLES: ±3°

THIS DRAWING IS A CONTROLLED DOCUMENT.

DIMENSIONS: MM

TOLERANCES UNLESS OTHERWISE SPECIFIED:

0 PLC	±
1 PLC	±
2 PLC	±
3 PLC	±
4 PLC	±
ANGLES	±

MATERIAL: SEE NOTE

FINISH: SEE NOTE

THIS DRAWING IS UNPUBLISHED. RELEASED FOR PUBLICATION AUG. 2004. COPYRIGHT 2004 BY TYCO ELECTRONICS CORPORATION. ALL RIGHTS RESERVED.

DWN COREL WANG 23AUG04
CHK STEVEN YAO 20AUG04
APVD I. ENOMOTO 20AUG04

NAME: PLUG ASSY (VERTICAL/ W/SCREW HOLE) AMPLIMITE .050 SERIES I B-TO-B CONN.

PRODUCT SPEC: 108-60036

APPLICATION SPEC:

WEIGHT:

SIZE: A3 CAGE CODE: 00779 DRAWING NO: 5173279 RESTRICTED TO:

CUSTOMER DRAWING SCALE: 2:1 SHEET: 1 OF 1 REV: 01

Tyco Electronics AMP K.K. Kawasaki, Japan