

4

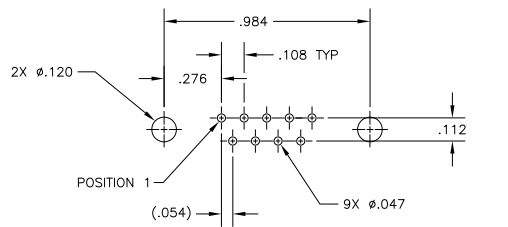
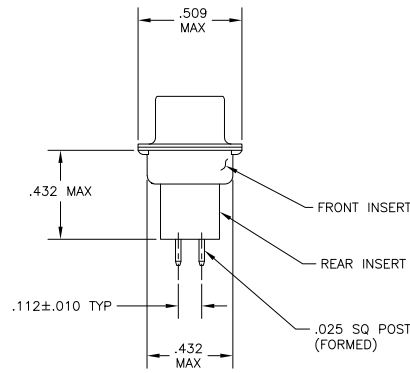
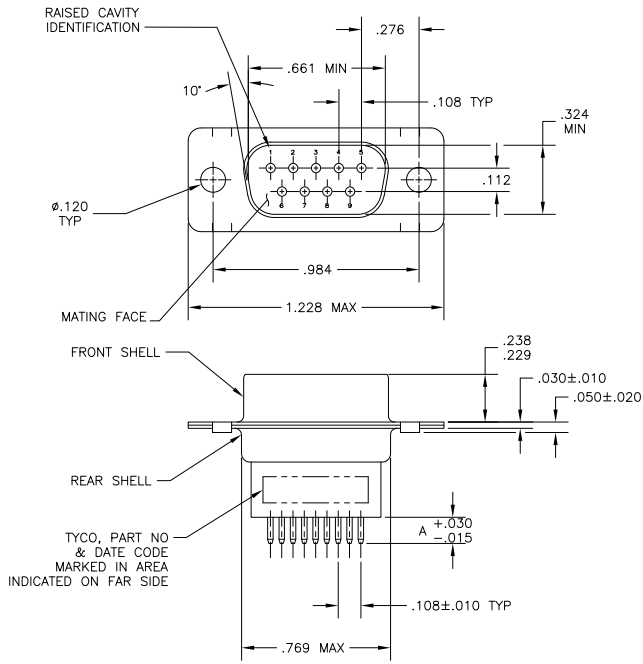
3

2

1

THIS DRAWING IS UNPUBLISHED. RELEASED FOR PUBLICATION
 © COPYRIGHT 2005 BY TYCO ELECTRONICS CORPORATION. ALL RIGHTS RESERVED.

LOC	DIST	REVISIONS					
GP	00	P	LTR	DESCRIPTION	DATE	MIN	APD
		C		REVISED PER ECO-10-000073	27JAN2010	CJV	SB



PC BOARD MOUNTING DIMENSIONS

- 1 MOLDED PARTS: GLASS-FILLED NYLON, UL 94V-0 RATED, BLACK.
SHELLS: CARBON STEEL
CONTACTS: BRASS
- 2 SHELLS: .000200 MIN ZINC WITH YELLOW CHROMATE COATING.
CONTACTS: GOLD PLATED FOR LENGTH OF .150 MIN FROM MATING END,
.000030 MIN GOLD IN MATED AREA,
.000100 MIN TIN ON SOLDER END, BOTH OVER
.000050 MIN NICKEL.
OR
GOLD FLASH OVER PALLADIUM-NICKEL PLATED FOR LENGTH OF
.150 MIN FROM MATING END,
.000030 MIN TOTAL IN MATED AREA,
.000100 MIN TIN ON SOLDER END, BOTH OVER
.000050 MIN NICKEL.

.188	5205733-7
.125	5205733-1
A	PART NO

THIS DRAWING IS A CONTROLLED DOCUMENT.		DR	DATE	Tyco Electronics Corporation	
DIMENSIONS: INCHES		SL	LATTUCA	02SEP05	Harrisburg, Pa 17105-3608
OTHER DIMENSIONS: MILLIMETERS		CHK	BOLASH	02SEP05	
MATERIAL		APPD	M. WALMSLEY	02SEP05	NAME
FINISH		PRODUCT SPEC	108-40025		PLUG ASSEMBLY, SIZE 1, 9 POSN, VERTICAL
		APPLICATION SPEC	114-40013		AMPLIMITE HDP
		WEIGHT			RESTRICTED TO
				SIZE	CAGE CODE
				A2	00779
				DRAWING NO	
				C-5205733	
				SCALE	NTS
				SHEET	1 OF 1
				REV	C
				CUSTOMER DRAWING	

AMP 1471-9 REV 31MM2000

5205733