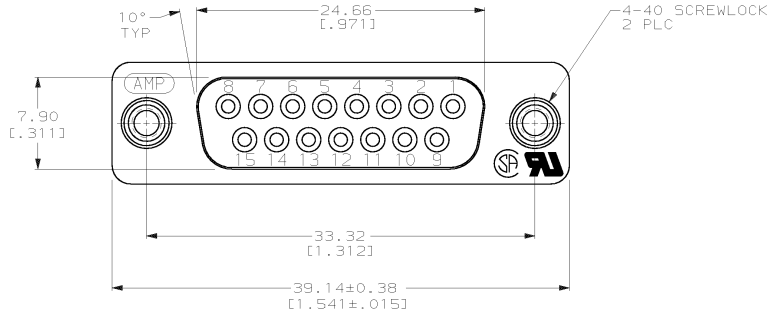
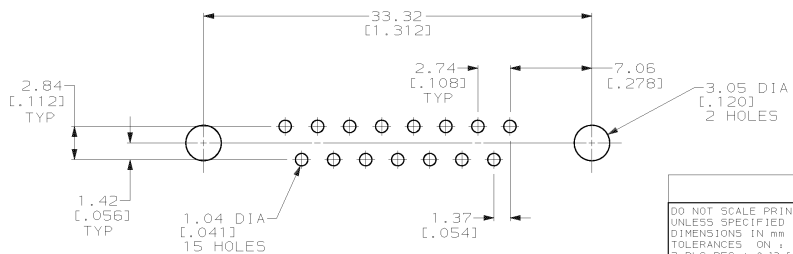
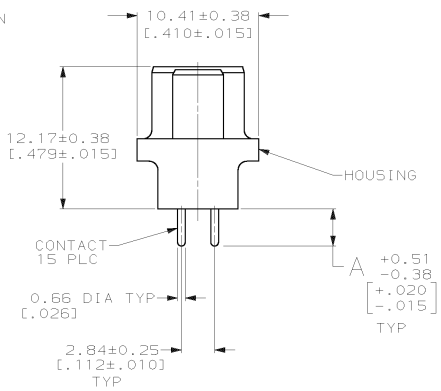
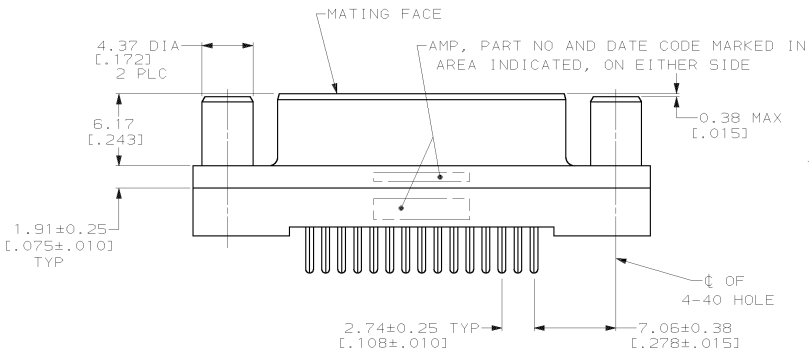


DRAWING MADE IN THIRD ANGLE PROJECTION
 THIS DRAWING IS UNPUBLISHED. RELEASED FOR PUBLICATION .19
 © COPYRIGHT 19 BY AMP INCORPORATED. ALL INTERNATIONAL RIGHTS RESERVED.

REVISIONS									
LOC	DIST	P	F	ZONE	LTR	DESCRIPTION	DATE	APPD	JR
GP	00				H	REV PER EC QUE0-0002-01	09 JAN 92		



- 1 HOUSING: BLACK POLYESTER, UL 94V-0 RATED; CONTACTS: PHOSPHOR BRONZE PER QQ-B-750; SREWLOCKS: BRASS PER QQ-B-626.
- 2 GOLD PLATING PER MIL-G-45204, TIN PLATING PER MIL-T-10727, NICKEL PLATING PER QQ-N-290, COPPER PLATING PER MIL-C-14550.
- 3 GOLD FLASH FOR A LENGTH OF 2.54[.100] MIN FROM MATING END, 2.54µm[.000100] MIN TIN OR TIN-LEAD FOR A LENGTH OF DIMENSION A FROM OPPOSITE END, ALL OVER 1.27µm[.000050] MIN NICKEL.
- 4 0.76µm[.000030] MIN GOLD FOR A LENGTH OF 2.54[.100] MIN FROM MATING END, 2.54µm[.000100] MIN TIN OR TIN-LEAD FOR A LENGTH OF DIMENSION A FROM OPPOSITE END, ALL OVER 1.27µm[.000050] MIN NICKEL.
- 5 1.27µm[.000050] MIN NICKEL OVER COPPER FLASH.



REVISION	DESCRIPTION	DATE	APPD
OBSELETE	6.35 [0.250]		745077-8
SUPERSEDED BY 745077-8	6.35 [0.250]		745077-7
	4.32 [0.170]		745077-6
OBSELETE	4.32 [0.170]		745077-5
	3.18 [0.125]		745077-4
	3.18 [0.125]		745077-3
OBSELETE	3.56 [0.140]		745077-2

DO NOT SCALE PRINT. UNLESS SPECIFIED DIMENSIONS IN mm (INCHES) TOLERANCES ON:		DR 11-16-89 J McCLINTON	
2 PLC DEC ± 0.13 [0.005]	3 PLC DEC ±	CHK 2-1-90 R. STONE	
ANGLES ± 2°		APPD 2-2-90 S. SCHIEFERLY	
MATERIAL		APPD 2-2-90 C. RHDH	
		PRODUCT SPEC 108-40025	
FINISH		APPLICATION SPEC	
CONTACT: SEE TABLE		SCALE	4:1
SREWLOCK:		SIZE	C
		CAGE CODE	00779
		DRAWING NO	745077
		SHEET	1 OF 1

AMP AMP INCORPORATED Harrisburg, Pa. 17105

NAME: RECEPTACLE ASSEMBLY, SIZE 2, 15 POSN, VERTICAL, AMPLIMITE® HD-20

CUSTOMER DRAWING