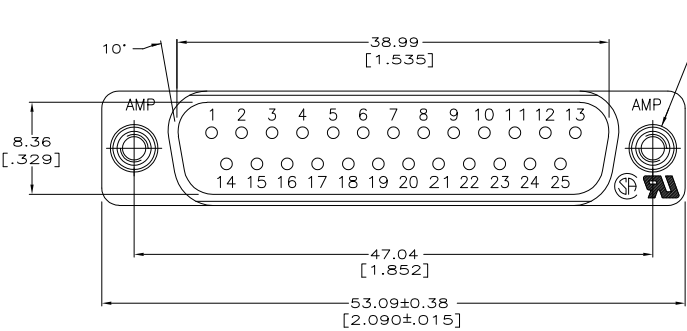


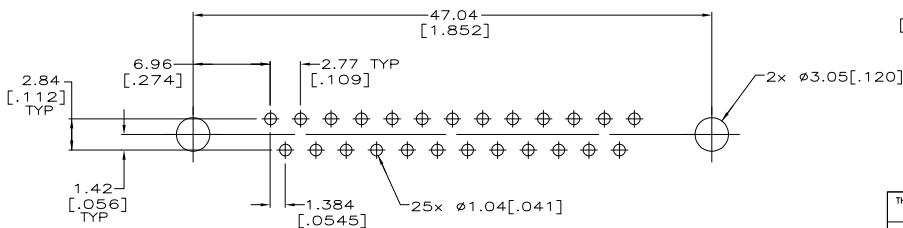
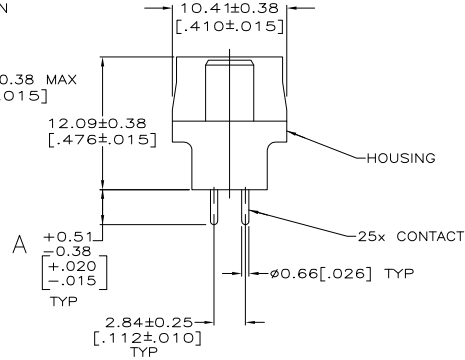
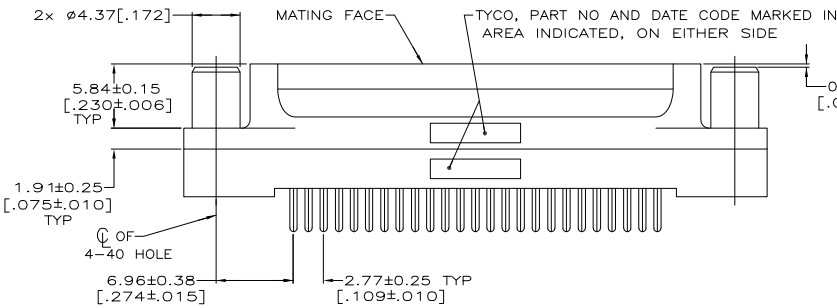
THIS DRAWING IS UNPUBLISHED. RELEASED FOR PUBLICATION
 © COPYRIGHT BY TYCO ELECTRONICS CORPORATION. ALL RIGHTS RESERVED.

LOC	DIST	REVISIONS					
GP	00	F	LR	DESCRIPTION	DATE	BY	APP
		A		REVISED PER ECO-06-026339	19/DEC/06	ZMR	EDB



2x #4-40 SCREWLOCK

- 1 HOUSING: BLACK POLYESTER, UL 94V-0 RATED; CONTACTS: BRASS
- 2 SCREWLOCKS: BRASS.
- 3 CONTACTS: SEE TABLE
- 4 SCREWLOCKS: 1.27µm[.000050] MIN NICKEL OVER COPPER FLASH.
- 5 GOLD PLATED FOR A LENGTH OF 3.81[.150] MIN FROM MATING END, GOLD FLASH IN MATED AREA, 2.54µm[.000100] MIN TIN ON OPPOSITE END, ALL OVER 1.27µm[.000050] MIN NICKEL.
- 6 GOLD PLATED FOR A LENGTH OF 3.81[.150] MIN FROM MATING END, 0.76µm[.000030] MIN GOLD IN MATED AREA, 2.54µm[.000100] MIN TIN ON OPPOSITE END, ALL OVER 1.27µm[.000050] MIN NICKEL
- 7 -OR-
- 8 GOLD FLASH OVER PALLADIUM NICKEL PLATED FOR LENGTH OF 3.81[.150] MIN FROM MATING END, 0.76µm[.000030] MIN PALLADIUM NICKEL IN MATED AREA, 2.54µm[.000100] MIN TIN ON OPPOSITE END, ALL OVER 1.27µm[.000050] MIN NICKEL.



RECOMMENDED PC BOARD MOUNTING DIMENSIONS

**COPYRIGHT 2005
 TYCO ELECTRONICS CORP
 ALL RIGHTS RESERVED**

4.32 [.170]	3	5745073-3
3.18 [.125]	4	5745073-2
3.18 [.125]	3	5745073-1

THIS DRAWING IS A CONTROLLED DOCUMENT.		DRN: 1352POS	Tyco Electronics Corporation	
DIMENSIONS: mm [INCHES]		CHK: S BOLASH	Harrisburg, PA 17105-3608	
TOLERANCES UNLESS OTHERWISE SPECIFIED:		APP: M WALMSLEY	PLUG ASSEMBLY, SIZE 3,	
Ø RLC	±	PRODUCT SPEC: 108-40025	25 POSN, VERTICAL,	
Ø RLC	±	APPLICATION SPEC:	AMPLIMITE HD-20	
Ø RLC	± 0.13 (0.05)	WEIGHT:	RESTRICTED TO	
Ø RLC	±	FINISH:	A2 00779 C=5745073	
ANGLES	±	MATERIAL:	SCALE: 4:1 SHEET: 1 of 1 REV: A	
FINISH:		CUSTOMER DRAWING		

AMP 1471-9 REV 31MMR2000

5745073

A