

4

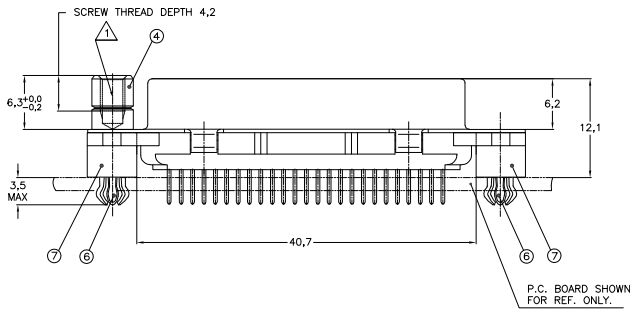
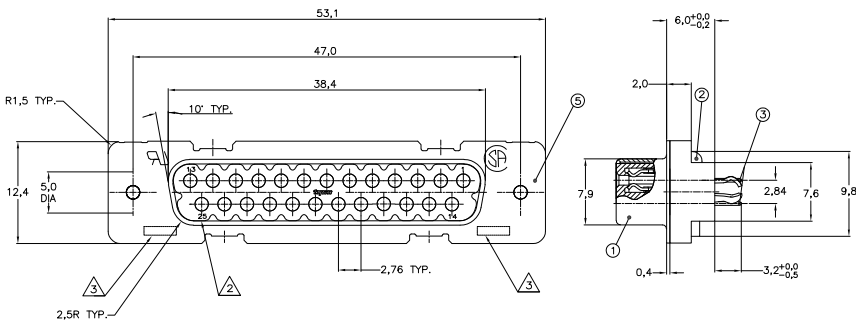
3

2

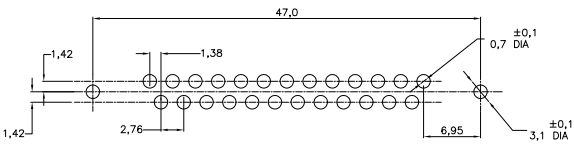
1

THIS DRAWING IS UNPUBLISHED. RELEASED FOR PUBLICATION BY TYCO ELECTRONICS CORPORATION. ALL RIGHTS RESERVED.

LOC	DIST	REVISIONS		
F	L/R	DESCRIPTION	DATE	BY
D		EH-1417-99	19-02-00	P.W WC
E		ECR-06-011911	22-05-06	BSV DC
F		ECR-06-029370	21-03-07	BSV MK



RECOMMENDED P.C. BOARD HOLE-LAYOUT



ITEM NO.	DESCRIPTION OF ACCESSORY	2	2	2	2	2	2	2
5	BUSHING WITH THROUGH-HOLE 3,1 DIA.							
5	BUSHING WITH THREAD 4-40 UNC							
5	BUSHING WITH THREAD M3							
4	FEMALE SCREWLOCK WITH THREAD 4-40 UNC							
4	FEMALE SCREWLOCK WITH THREAD M3							
6	BOARDLOCK							

HOW TO ORDER:  
 25 POS.-----> Z-338315-Y  
 PREFIX FOR ACCESSORIES }  
 BASIC PARTNR. }  
 SUFFIX FOR PLATING }

PLATING SUFFIX "Y"  
 GOLD OVER NICKEL AS PER PERFORMANCE LEVEL 2 (DIN 41652) } -Y = -2  
 SOLDER-PART : TIN-PLATING 3µm }

- ITEM NRS./MATERIAL :
- ① SHELL = BRIGHT TINPLATED STEEL
  - ② HOUSING = GLASSFILLED POLYESTER, COLOR : BLACK
  - ③ CONTACTS = PHOSPHORBRONZE (PLATING : SEE TABLE ABOVE)
  - ④ FEMALE SCREWLOCK = TINPLATED STEEL (INNER THREAD 4-40 UNC OR M3)
  - ⑤ BUSHING = TINPLATED STEEL (INNER THREAD 4-40 UNC OR M3 OR 3,1 DIA. THROUGH-HOLE)
  - ⑥ BOARDLOCK = TINPLATED PHOSPHORBRONZE
  - ⑦ STAND OFF = ULTRAMID VO COLOR : BLACK

THIS DRAWING IS A CONTROLLED DOCUMENT.		DIN J. LIEMPT 01AUB7	Tyco Electronics Corporation s-Hertogenbosch, Nederland.	
DIMENSIONS: MM		CHK. C. SOUSA	ORSEP97	NAME
TOLERANCES UNLESS OTHERWISE SPECIFIED:		F. LEUVENS		
0 P.C.	±	APPLICATION SPEC:	SIZE	DATE CODE
1 P.C.	±	WEIGHT	A2	00779
2 P.C.	±	FINISH	C=338315	
3 P.C.	±	CUSTOMER DRAWING		
4 P.C.	±	SCALE NTS SHEET 1 OF 1 REV F		
ANGLES	±			

AMP 1471-9 REV 31MM2000

338315